

GROUP 36 - PARTITION 36-1

Group 36
PARTITION

Contents

Title	Section Page
Partition - Life Guard	36-1 36-2
Partition - Life Guard	36-2 36-4

GROUP 36 - PARTITION 36-2

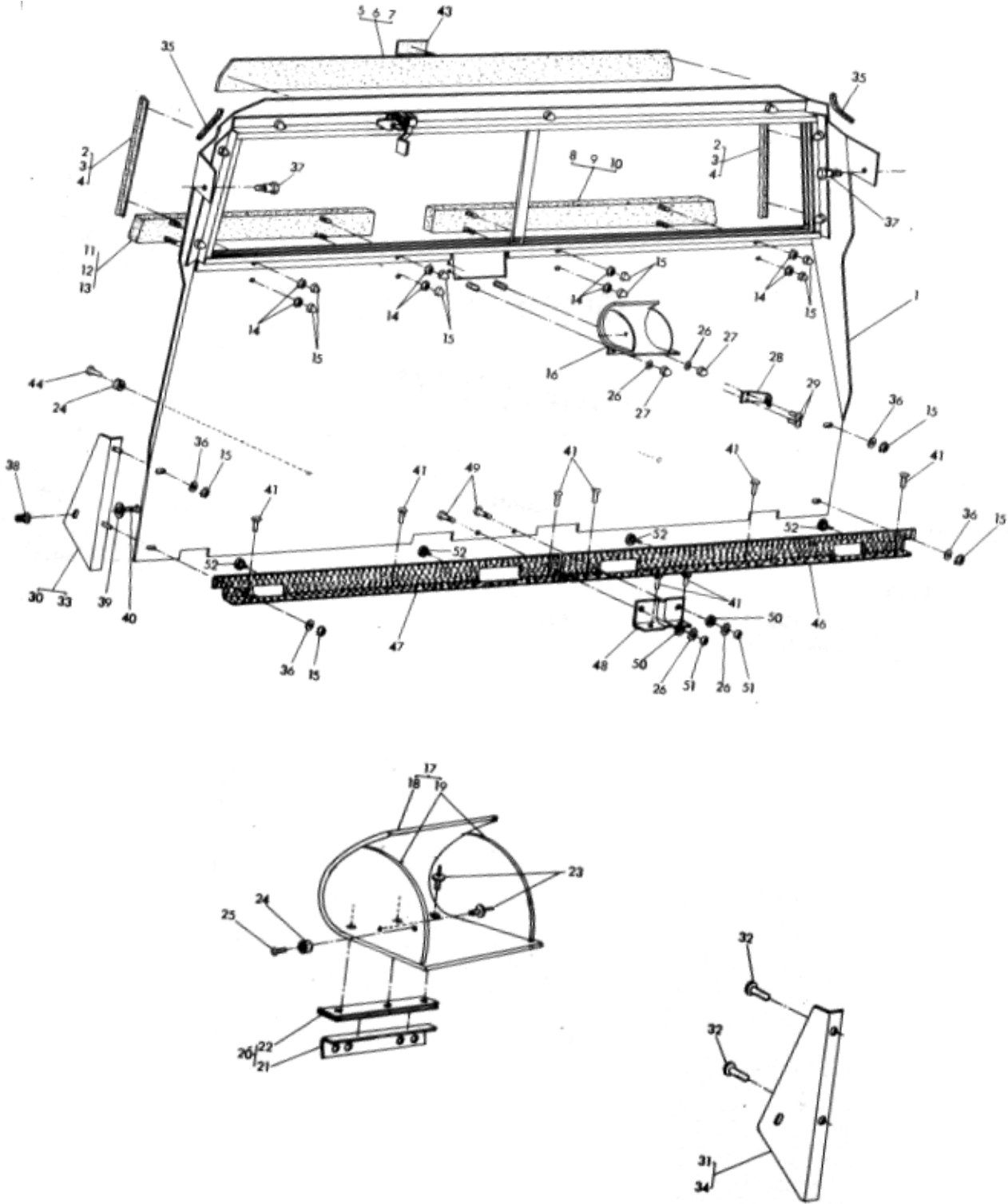


Figure 36-1 Partition – Life Guard
Checker Motors Corp.

GROUP 36 - PARTITION 36-3

Item	Part Number	Description	Qty
		Figure 36-1	
		PARTITION - LIFE GUARD	
	653036	Partition Asm. - Trim Gray Comp	1
	653037	Partition Asm. - Trim Red Comp	1
	653038	Partition Asm. - Trim Black Comp	1
1	653039	Partition Asm. - Less Trim	1
2	653067	Welt Asm. - Channel Side - Gray	2
3	653068	Welt Asm. - Channel Side - Red	2
4	653069	Welt Asm. - Channel Side - Black	2
5	647385	Pad Asm. - Part. Upper - Gray	1
6	647386	Pad Asm. - Part. Upper - Red	1
7	651579	Pad Asm. - Part. Upper - Black	1
8	647421	Pad Asm. - Part. Crash - Gray - LH	1
9	647423	Pad Asm. - Part. Crash - Red - LH	1
10	651575	Pad Asm. - Part. Crash - Black - LH	1
11	647422	Pad Asm. - Part. Crash - Gray - RH	1
12	647424	Pad Asm. - Part. Crash - Red - RH	1
13	651576	Pad Asm. - Part. Crash - Black - RH	1
14	271172	Nut & LW Asm. (1/4-20 Hex)	8
15	626910	Nut (1/4-20 Stamped)	8
16	647431	Box Asm. - Part. Fare	1
17	647433	Box Asm. - Part. Fare Welded	1
18	646237	Panel - Part. Fare Box	1
19	646238	Panel - Part. Fare Box Side	2
20	643808	Hinge & Angle Asm. - Fare Box	1
21	640527	Angle - Fare Box Hinge	1
22	643809	Hinge Asm. - Fare Box	1
23	626642	Rivet (3/16 Dia. Pop)	4
24	632317	Bumper	3
25	161869	Screw (#8 X 5/8 PHCR)	1
26	138485	Lockwasher (5/16 Int. Tooth)	4
27	441265	Nut (5/16-18 Stamped)	2
28	636347	Clip	1
29	163158	Screw (#8 X 3/8 PHCR)	2
30	647435	Panel Asm. - Lower Side - LH	1
31	646245	Panel - Lower Side - LH	1
32	626292	Bolt (1/4-20 X 5/8)	4
33	647436	Panel Asm. - Lower Side - RH	1
34	646246	Panel - Lower Side - RH	1
35	MG-i 15	Rubber Channel (1/4' Slot)	1
36	120392	Washer (9/32 X 5/8 OD)	4
37	646716	Bolt	2
38	626448	Jack Nut (1/4-20)	2
39	626516	LW (1/4 X .632 OD Int. Tooth)	2
40	189129	Screw (1/4-20 X 5/8 THCR)	2
41	626456	Scr. & Wa. Asm. (#8 X 3/4 OHCR)	8
42	94620	Shim (1-1/4 X 1-1/4 X 2)	2
43	646269	Label - L/G Partition	1
44	626611	Screw (#8 X 1/2 PHCR)	2
45	MA-137	Cement	1
46	646741	Grille - Lower Part. - LH	1
47	646742	Grille - Lower Part. - RH	1
48	644262	Angle - Lower Part. Center Panel	1
49	180080	Bolt (5/16-i 8 X 1 1/8 Hex)	2
50	120393	Washer (11/32 ID X 11/16 OD)	2
51	120376	Nut (5/16-18 Hex)	2
52	622595	Bumper	4

GROUP 36 - PARTITION 36-4

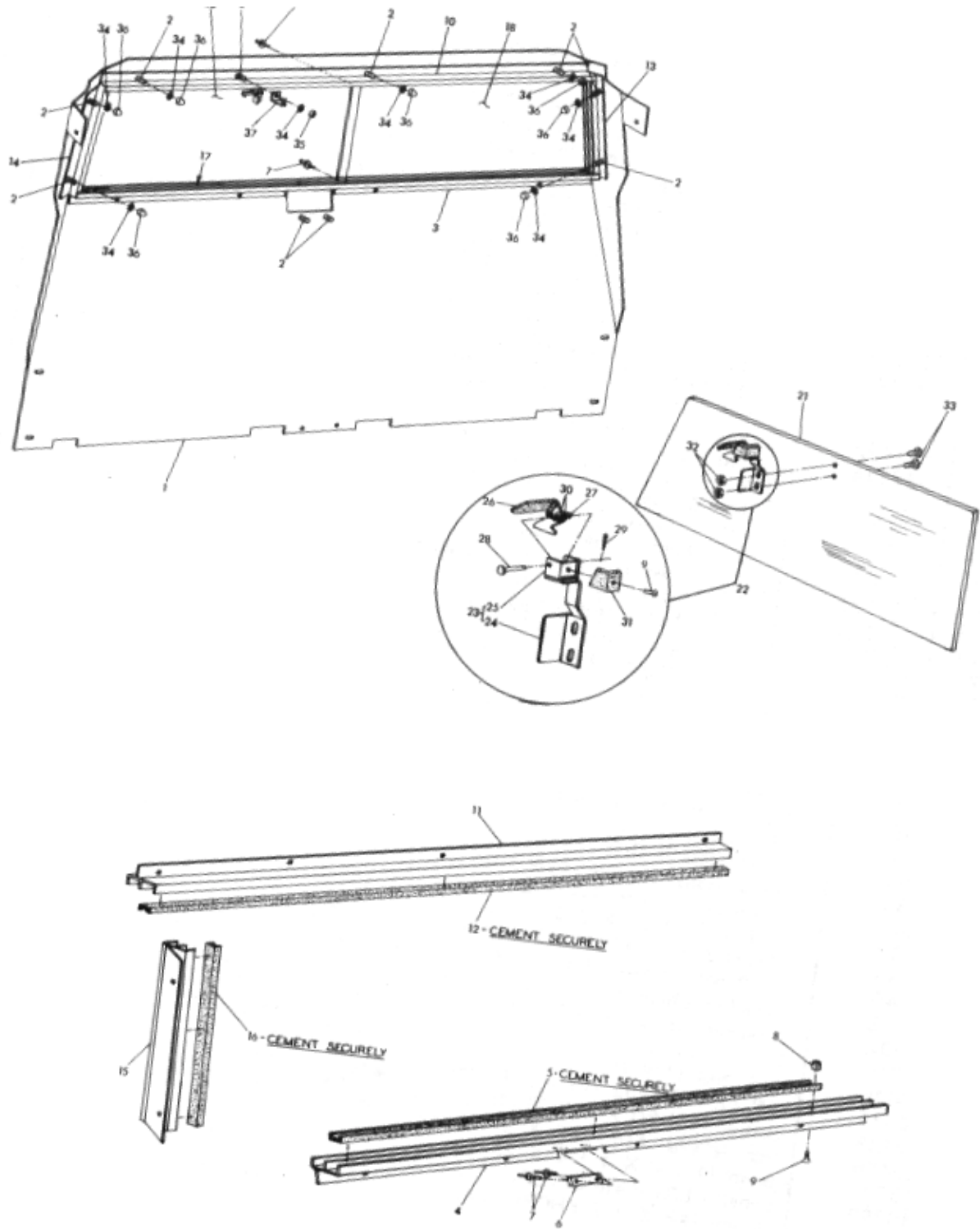


Figure 36-2 Partition - Life Guard

GROUP 36 - PARTITION 36-5

Item	Part Number	Description	Qty
		Figure 36-2	
		PARTITION - LIFE GUARD	
	653039	Partition Asm. - Less Trim	1
1	653040	Partition & Stud Asm	1
2	626865	Stud (5/16-18 X 3/4)	10
3	653042	Channel Asm. - Lexan Lower	1
4	646870	Channel - Lexan Lower	1
5	646872	Guide - Lexan	1
6	642898	Panel - Fare Box Guard	1
7	626642	Rivet (3/16 Dia. Pop)	4
8	632317	Bumper	1
9	163158	Screw (#8 X 3/8 PHCR)	2
10	653047	Channel Asm. - Lexan Upper	1
11	646873	Channel - Lexan - Upper	1
12	646877	Guide - Lexan - Upper	1
13	646875	Channel - Lexan Side - LH	1
14	653046	Channel Asm. - Lexan Side - RH	1
15	646876	Channel - Lexan Side - RH	1
16	646337	Guide - Lexan - RH	1
17	646881	Filler - Stationary Lexan	1
18	646879	Lexan - Partition - LH	1
19	MA-140	Tape - Water Proof (1 1/2")	1
20	653045	Lexan & Handle Asm	1
21	646880	Lexan - RH	1
22	647661	Handle & Latch Asm	1
23	647662	Handle & Bracket Asm	1
24	646342	Handle - Partition	1
25	646235	Bracket - Part. Latch	1
26	646236	Latch - Handle - Coated	1
27	640761	Spring	1
28	640760	Pin	1
29	112726	Cotter Pin (1/16 X 1/2)	1
30	120391	Washer (7/32 ID X 1/2 OD)	2
31	646228	Shield - Latch	1
32	120614	Nut (#10-32 Hex)	2
33	626537	Screw (#10-32 X 5/8)	2
34	138485	LW (5/16 Ext. Tooth)	8
35	120376	Nut (5/16-18 Hex)	1
36	441265	Nut (5/16-18 Stamped)	7
37	646341	Striker - Latch	1