

GROUP 3 - SUSPENSION - REAR 3-1

**Group 3**

**SUSPENSION REAR**

Contents

Title	Section Page
Rear Spring and Shock Absorber	3-1 3-2
Helper Springs .Rear	3-2 3-4

GROUP 3 - SUSPENSION - REAR 3-2

A	A	A	A
11	11	12	12
	E		E

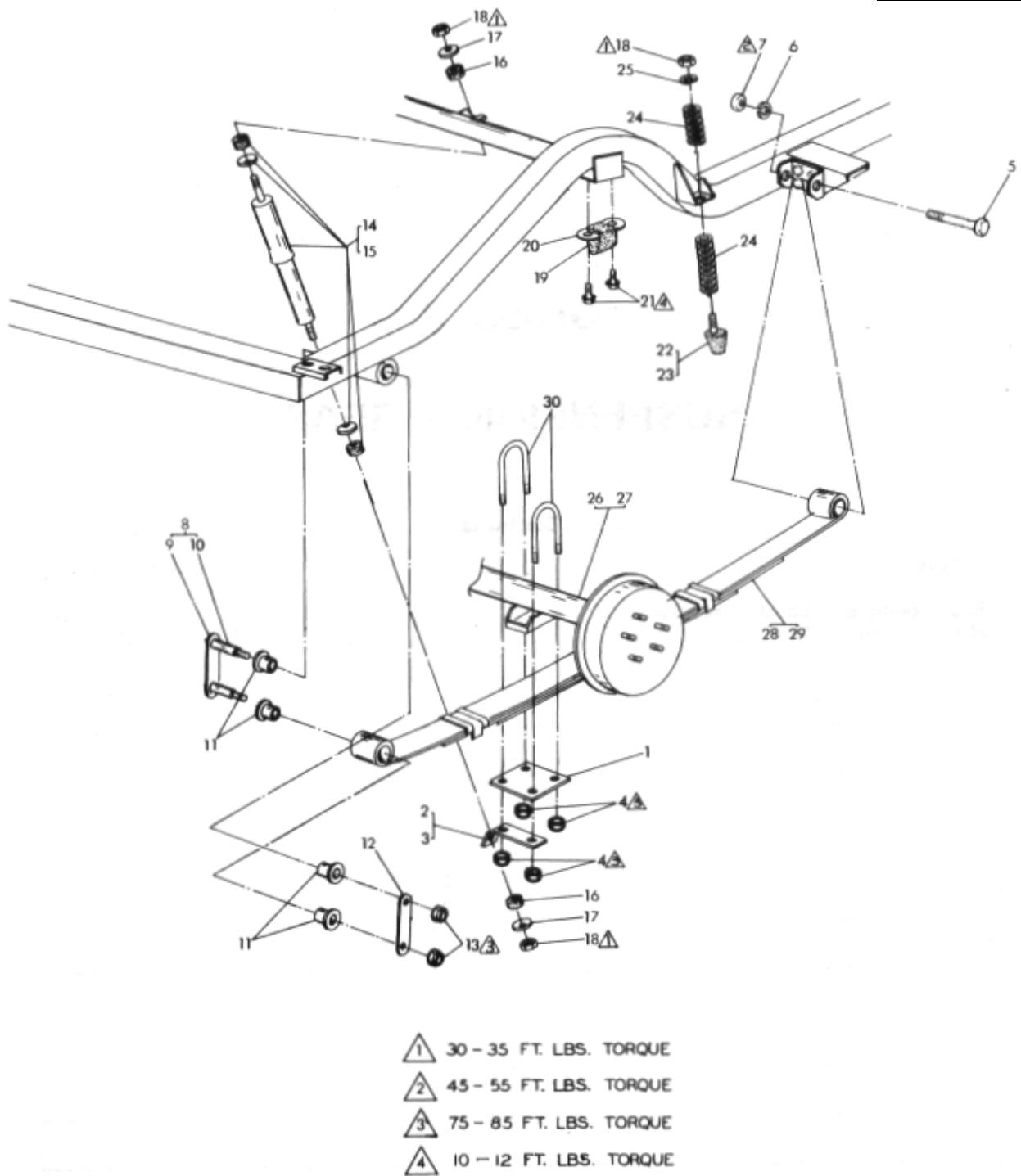


Figure 3-1 Rear Spring and Shock Absorber

### GROUP 3 - SUSPENSION - REAR 3-3

Item	Part Number	Description	Qty
Figure 3-1 REAR SPRING AND SHOCK ABSORBER			
1	98300	Plate	2
2	98301	Bracket - LH	1
3	98302	Bracket - RH	1
4	65198	Nut	8
5	271758	Bolt (5/8-18 X 4 1/2 Hex)	2
6	9429691	LW (5/8 Reg. Spring)	2
7	121358	Nut (5/8-18 Hex)	2
8	95634	Plate & Pin Asm. - Shackle	2
9	706131	Plate	2
10	706132	Pin	2
11	96153	Bushing	8
12	80768	Plate	2
13	626852	Nut (1/2-20 Hex Crown Lock)	4
14	703942	Shock Absorber (Standard)	2
15	705396	Shock Absorber (Hvy. Du.)	2
16	706089	Insulator	4
17	94408	Washer	4
18	120369	Nut (3/8-24 Hex)	6
19	702356	Bumper	2
20	702354	Clip	2
21	626912	Screw (5/16-18 X 3/4 Tap.)	4
22	701015	Bumper (120" WB Only)	2
23	92289	Bumper (129" WB Only)	2
24	446477	Washer (129" WB Only)	30
25	120382	LW (3/8 Med. Spring)	2
26		Ref. Axle Asm. - Std. (See Group 4)	
27		Ref. Axle Asm. - Trac-Lok (See Group 4)	
28	705173	Spring Asm. - Rear Standard	2
	04566	Bolt & Nut Asm. - Spr. Ctr	2
29	703000	Spring Asm. - Rear Hvy. Du	2
	04567	Bolt & Nut Asm. - Spr. Ctr	2
30	98308	Clip	4

GROUP 3 - SUSPENSION - REAR 3-4

A	A	A	A
11	11	12	12
	E		E

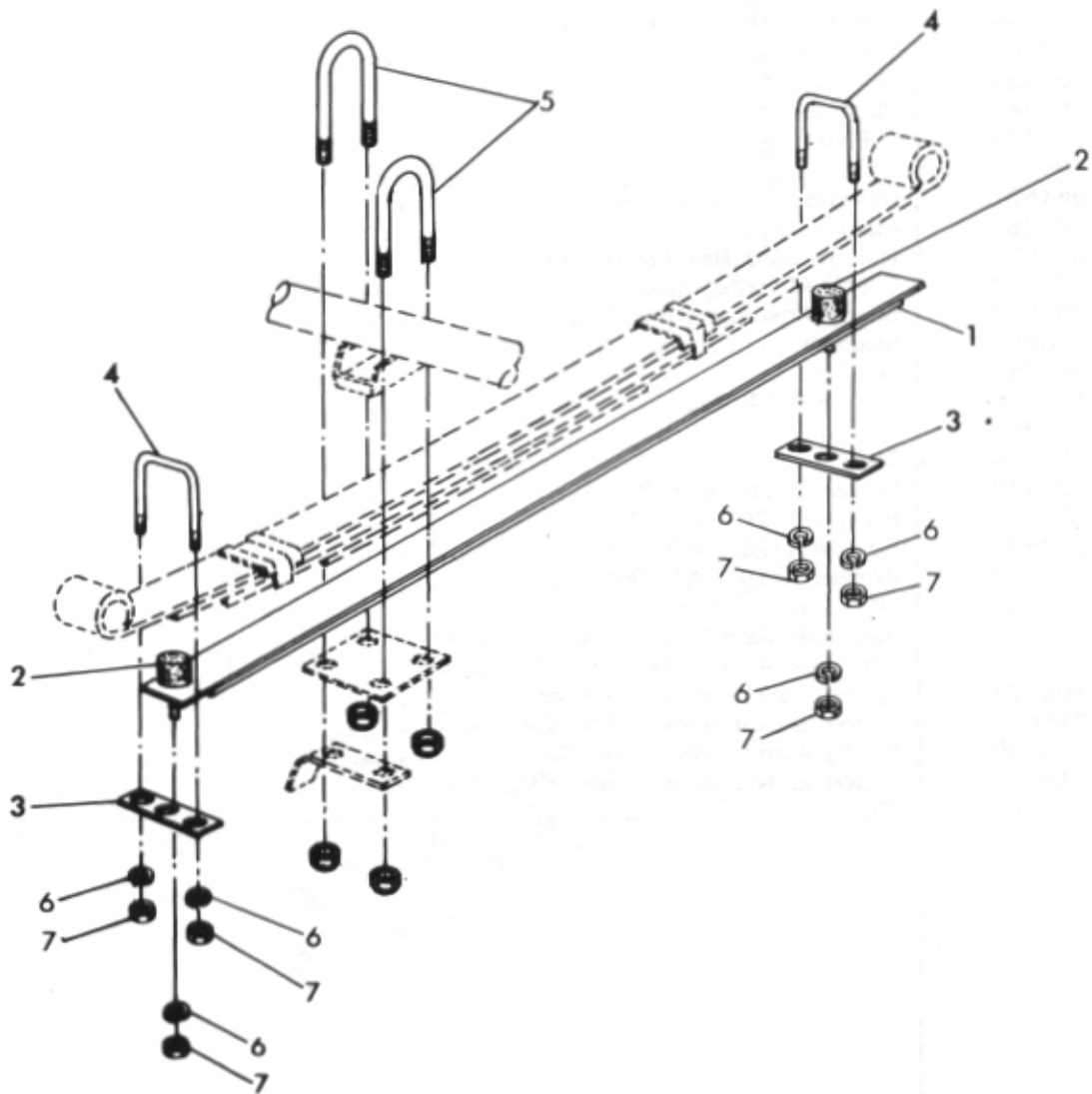


Figure 3-2 Helper Springs .Rear

**Checker Motors Corp.**

GROUP 3 - SUSPENSION - REAR 3-5

Item	Part Number	Description	Qty
Figure 3-2 HELPER SPRINGS - REAR			
	97399	Kit .Rear Helper Spring	1
1	703221	Spring Asm	2
2	704374	Bumper	4
3	704375	Plate	4
4	704376	U-Bolt	4
5	98326	Clip	4
	65198	Nut .Spring Clip	8
6	120382	LW (3/8 Med. Spring)	12
7	120377	Nut (3/8-16 Hex)	12