

GROUP 29 – INTERIOR - 29-1

Group 29

INTERIOR

Contents

Title	Section	Page
Panel - Roof Trim, A11 & A11E	29-1	29-2
Headlining Installation, A12 & A12E	29-2	29-3
Sun Visor	29-3	29-3
Mirror - Rear View	29-4	29-3
Pad Installation - Dash Panel	29-5	29-4
Ash Tray - Driver's Compartment	29-6	29-4
Ash Tray - Passenger Compartment	29-7	29-4
Glove Compartment	29-8	29-5
Card Case (Optional Equipment)	29-9	29-5
Heat, Air and Defroster Controls and Meter Mounting Plate	29-10	29-6
Facings - Cowl Side	29-11	29-8
Mat - Front Floor	29-12	29-8
Mats - Rear Floor (120" WB)	29-13	29-8
Mats - Rear Floor (129" WB)	29-14	29-9
Retainers - Floor Mat	29-15	29-9
Head Restraint - Front Seat	29-16	29-9
Head Restraint Mounting	29-17	29-10
Seat Assembly - Front Less Cushion & Head Restraints	29-18	29-10
Trim Panel - Seat Back	29-19	29-10
Cushion - Front Seat	29-20	29-10
Back Assembly - Rear Seat	29-21	29-11
Cushion Assembly - Rear Seat	29-22	29-11
Mounting - Back Assembly - Rear Standard Seat	29-23	29-11
Mounting - Back Assembly - Rear Seat Forward	29-24	29-11
Rod- Hold Down - Rear Seat Cushion	29-25	29-11
Heater Assembly - Dash Mounted	29-26	29-12
Seat Adjuster	29-27	29-14
Seat Belts & Harness	29-28	29-14
Panel - Shelf Trim	29-29	29-15
Coat Hook - A12 Only	29-30	29-15
Trim Panels - Rear Quarter	29-31	29-15
Facing - Rear Wheelhouse	29-32	29-15
Assist Straps	29-33	29-15
Luggage Compartment	29-34	29-16
Seat - Auxiliary - Round 120" WB	29-35	29-16
Seat - Auxiliary - Export 129" WB	29-36	29-17
Consolidated List of Interior Trim	29-37	29-18
Consolidated List of Interior Trim, Table 1	29-38	29-19
Consolidated List of Interior Trim, Table 2	29-39	29-20

GROUP 29 – INTERIOR - 29-2

Item Qty	Part Number	Description	
		Section 29-1	
		PANEL - ROOF TRIM, All & A11E	
	646851	Panel - Trim - Front - All	1
	646852	Panel - Trim - Front - AI 1E	1
	646853	Panel - Trim - Center - AI 1	1
	646854	Panel - Trim - Center - All E	1
	646855	Panel - Trim - Rear - All - A11E	1
	626628	Clip - Trim - Center Panel to Body	4
	634065	Molding - Trim - Front	1
	634066	Molding - Trim - Rear	1
	626427	Clip - Molding	14
	626273	Clip (Trim At Sides) - AI 1 - Front Panel	7
	626273	Clip (Trim At Sides) - AI 1 - Center Panel	8
	626273	Clip (Trim At Sides) - AI 1 - Rear Panel	5
	626273	Clip (Trim At Sides) - AI 1E - Front Panel	9
	626273	Clip (Trim At Sides) - AI 1E - Center Panel	8
	626273	Clip (Trim At Sides) - AI 1E - Rear Panel	5
		Section 29-2	
		HEADLINING INSTALLATION, A12 & A12E	
	645526	Headlining Asm. - Beige - 120" WB	1
	645536	Headlining Asm. - Beige - 129" WB	1
	647965	Headlining Asm. - Beige - 120" WB (W/Quarter Window Elimination)	1
	647966	Headlining Asm. - Beige - 129" WB (W/Quarter Window Elimination)	1
	651622	Headlining Asm. - Black - 120" WB	1
	651623	Headlining Asm. - Black - 129" WB	1
	651649	Headlining Asm. - Black - 120" WB (W/Quarter Window Elimination)	1
	651650	Headlining Asm. - Black - 129" WB (W/Quarter Window Elimination)	1
	642654	Wire - Headlining Listing - #1	1
	642655	Wire - Headlining Listing - #2	1
	642656	Wire - Headlining Listing	1
		#3 - 120" & 129" WB - W/Qtr. Wdo	1
		#3 & #4 - 120" WB - W/O Qtr. Wdo	1
		#3, #4 & #5 - 129" WB - W/O Qtr. Wdo	1
	642657	Wire - Headlining Listing	1
		#4 & #5 - 120" WB W/Qtr. Wdo	1
		#4, #5 & #6 - 129" WB W/Qtr. Wdo	1
		#5 - 120" WB W/O Qtr. Wdo	1
		#6 - 129" WB W/O Qtr. Wdo	1
	642659	Wire - Headlining Listing	1
		#6 - 120" WB - W/Qtr. Wdo	1
		#7 - 129" WB - W/Qtr. Wdo	1
		#6 - 120" WB - W/O Qtr. Wdo	1
		#7 - 129" WB - W/O Qtr. Wdo	1

GROUP 29 – INTERIOR - 29-3

Item	Part Number	Description	Qty
Section 29-2			
HEADLINING INSTALLATION. A12 & A12E (Cont'd)			
	642327	Wire - Headlining Listing - Rear	1
	626616	Clip - Headlining Trim Retainer At Rear Wire Only	2
	626634	Clip - Headlining Listing Wire End - 120" WB	12
	626634	Clip - Headlining Listing Wire End - 129" WB	14
	626456	Screw & Washer Asm. - Clip to Body (#8 X 3/4 OHCR Tap. #6 Hd.) - 120" WB	14
	626456	Screw & Washer Asm. - Clip to Body (#8 X 3/4 OHCR Tap. #6 Hd.) - 129" WB	16
	647967	Panel Asm. - Rear Qtr. Trim - LH (W/O Qtr. Wdo.)	1
	647968	Panel Asm. - Rear Qtr. Trim - RH (W/O Qtr. Wdo.)	1
	626456	Screw & Washer Asm. (#8 X 3/4 OHCR Tap. #6 Hd.) Trim Panels to Rear Qtr	6
Note: When Ordering Above Trim Panels Please Specify Beige or Black Trim.			
Section 29-3			
SUN VISOR			
	651146	Visor Asm. - Beige	2
	651500	Visor Asm. - Black	2
	187871	Screw - Sun Visor Mounting (#8-32 X 1/2 OHCR)	6
	644153	Clip - Sun Visor Retaining	2
	626612	Screw - Clip Mounting (#8 X 5/8 OHCR Type A Tap. #6 Hd.)	2
Section 29-4			
MIRROR – REAR VIEW			
	653122	Mirror Asm. – Day Night	1

GROUP 29 – INTERIOR - 29-4

Item	Part Number	Description	Qty
		Section 29-5	
		PAD INSTALLATION - DASH PANEL	
	645334	Pad Asm. - Black	1
	626456	Screw - Pad Mt. (#8 X 3/4 OHCR Tapp)	16
		Section 29-6	
		ASH TRAY - DRIVER'S COMPARTMENT	
	633052	Ash Tray Asm	1
	634011	Knob - Ash Tray	1
	163098	Screw - Knob Mt. (#6 X 3/8 PHCR)	1
	131015	Washer - Plain - Knob Mounting (3/16 ID X 7/16 OD)	1
		Section 29-7	
		ASH TRAY - PASSENGER COMPARTMENT	
	635125	Ash Tray Asm	2
	03849	Insert	2
	626611	Screw - Ash Tray Mounting (#8 X 1/2 PHCR)	4

GROUP 29 – INTERIOR - 29-5

Item	Part Number	Description	Qty
		Section 29-8	
		GLOVE COMPARTMENT	
	647309	Body Asm. - Glove Compartment	1
	645997	Door Asm. - Glove Compartment	1
	647006	Case Asm. - Glove Compartment Lock	1
	646028	Nut - Case Retaining	1
	646518	Striker - Glove Compartment Lock	1
	161895	Screw (#10 X 1/2 PHCR Tap.) Glove Comp. Body & Striker to Ip	1
	633049	Hinge Asm. - LH	1
	633050	Hinge Asm. - RH	1
	630755	Shim - Hinge	2
	132900	Screw (#10-32 X 3/8 RH Slot Mach.) Hinge to Instrument Panel	4
	138479	Lockwasher (#10 Ext. Tooth) Hinge to Instrument Panel	4
	138479	Lockwasher (#10 Ext. Tooth) Door to Hinge	4
	120614	Nut (#10-32 Hex) Hinge to Instrument Panel	4
	120614	Nut (#10-32 Hex) Door to Hinge	4
	626398	Bumper - Glove Compartment	1
	645639	Socket & Switch Asm. Glove Compartment Light	1
	1895	Bulb	1
		Section 29-9	
		CARD CASE (Optional Equipment)	
	643158	Card Case Asm. - Glove Compartment	1
	640395	Panel - Card Case	1
	634327	Shield - Card Case	1
	640546	Shield - Card Case Lamp	2
	125675	Screw - Card Case Lamp Shield Mt. (#6 X 1/4 RH Slotted)	2
	641299	Socket Asm. - Card Case Lamp	1
	1895	Bulb	2
	633284	Wire Asm. - Card Case Lamp to Light Switch	2
	132900	Screw - Card Case Mounting (#10-32 X 3/8 Rnd. Hd.)	2
	138479	Lockwasher (#10 Ext. Tooth) Card Case Mounting	2
	120614	Nut (#10-32 Hex) Card Case Mounting	1

GROUP 29 – INTERIOR - 29-6

A	A	A	A
11	11	12	12
	E		E

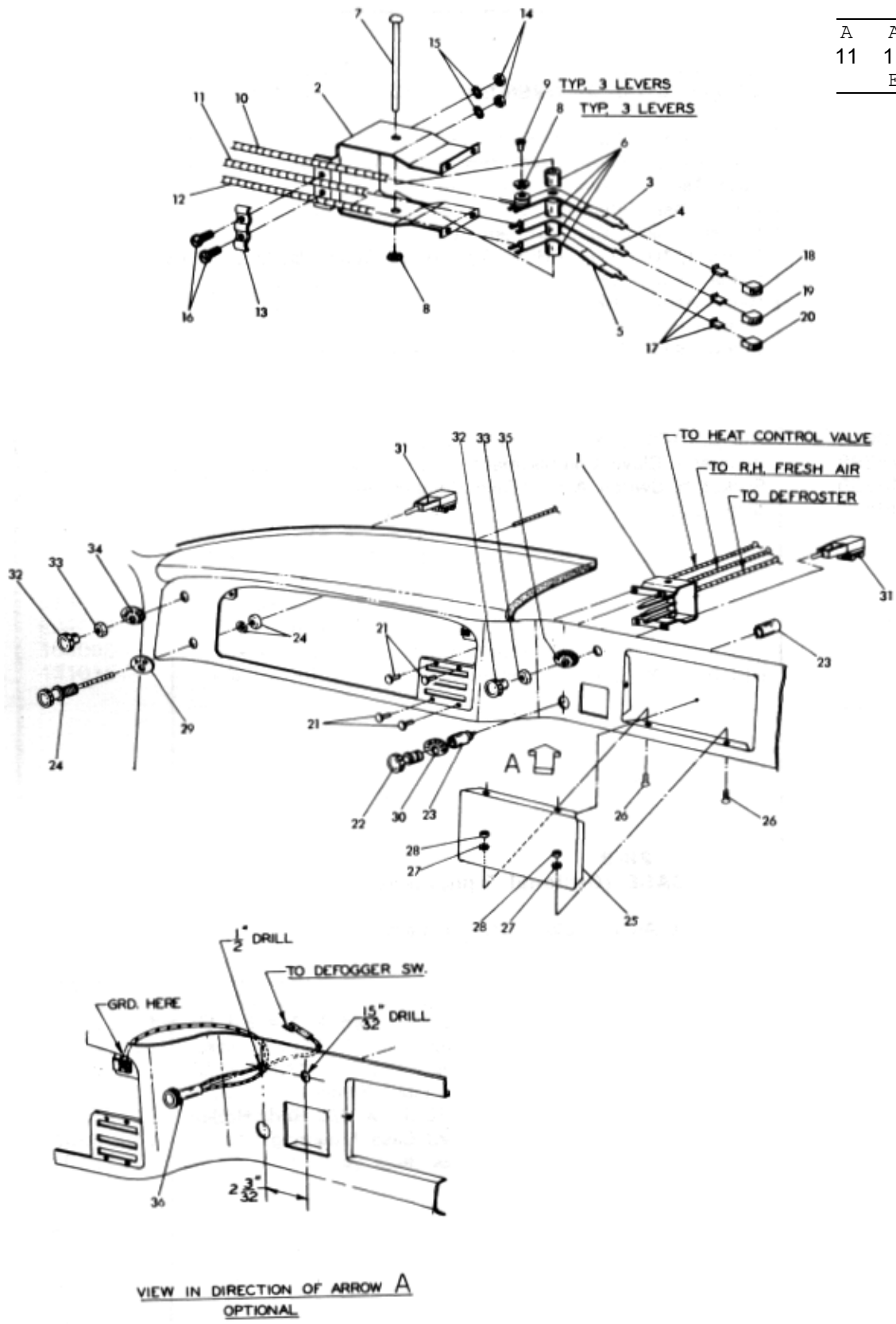


Figure 29-10 Heat, Air and Defroster Controls and Meter Mounting Plate

Checker Motors Corp.

GROUP 29 – INTERIOR - 29-7

Item	Part Number	Description	Qty
		Figure 29-10 HEAT, AIR AND DEFROSTER CONTROLS AND METER MOUNTING PLATE	
1	647928	Control Asm. - Heater & Defroster	1
2	646505	Bracket - Heater Control	1
3	646506	Lever - Temperature Control	1
4	640565	Lever - Heater Control	1
5	646507	Lever - Defroster Control	1
6	634095	Spacer	4
7	107561	Rivet (3/16 X 2 1/2)	1
8	626409	Nut (3/16 Push On)	4
9	626547	Clip - Tubular	3
10	647923	Cable Asm. - Temperature Control	1
11	647922	Cable Asm. - Fresh Air Control	1
12	647921	Cable Asm. - Defroster Control	1
13	634097	Clip - Control Cables	1
14	134530	Nut (#6-32 Hex)	2
15	138473	Lockwasher (#6 Ext. Tooth)	2
16	131899	Screw (#6-32 X 1/2)	1
17	626420	Retainer - Tinnerman	3
18	634548	Knob - Temperature	1
19	634547	Knob - Air	1
20	634549	Knob - Defroster	1
21	626642	Rivet (3/16 Pop)	4
22	651760	Knob & Plug Asm. - Lighter	1
23	97632	Socket Asm. - Lighter	1
24	93293	Control Asm. - LH Fresh Air	1
25	630554	Plate - Meter Opening Cover	1
26	132900	Screw (#10-32 X 3/8 RH SI.)	4
27	138479	LW (#10 Ext. Tooth)	4
28	120614	Nut (#10-32 Hex)	4
	643160	Plate - Meter Mounting	1
	626611	Screw - Plate to Dash(#8 X 1/2 PHCR)	2
	138479	LW - Plate to Dash (#10 Ext.)	2
	120614	Nut - Plate to Dash (#10-32)	2
	132900	Screw - Plate to Dash (#10-32 X 3/8 RH SI.)	4
	120706	Bolt - Brace to Dash Bracket (1/4-20 X 1/2 Hex)	1
	174916	LW - Brace to Dash Bracket (1/4 Int. Ext. Tooth)	1
	120375	Nut - Brace to Dash Bracket (1/4-20 Hex)	1
29	646512	Label - Air	1
30	646513	Label - Lighter	
31	635534	Switch Asm	2
32	631960	Knob & Screw Asm	2
33	05292	Nut - Switch Mounting	1
34	646514	Label - Aux. Heat	1
35	646515	Label - Defogger	1
36	653074	Lamp Asm. - Defogger Sw. Ind	1

GROUP 29 – INTERIOR - 29-8

Item	Part Number	Description	Qty
		Section 29-1 1 FACINGS - COWL SIDE	
		Refer to Consolidated List of Interior Trim Panels for Facings - Cowl Side - Page 18	
		Section 29-12 MAT - FRONT FLOOR	
	653350	Mat Asm. - Rubber	1
	651180	Carpet Asm	1
		Section 29-13 MATS - REAR FLOOR (120" WB)	
	640567	Mat - Rubber - W/O Aux. Seats	1
	640568	Mat - Rubber - W/Aux. Seats	1
	640569	Mat - Rubber - Rear Seat Forward	1
	651673	Mat - Black Carpet - W/Aux. Seats	1
	651672	Mat - Black Carpet - W/Aux. Seats	1
	651676	Mat - Black Carpet - Rear Seat Forward	1
	642202	Grommet - Aux. Seat Leg Hole	2

GROUP 29 – INTERIOR - 29-9

Item	Part Number	Description	Qty
		Section 29-14	
		MATS - REAR FLOOR (129" WB)	
	642370	Mat - Rubber - W/O Aux. Seats	1
	642371	Mat - Rubber - W/Aux. Seats	1
	651782	Mat - Black Carpet - W/O Aux. Seats	1
	651674	Mat - Black Carpet - W/Aux. Seats	1
	642202	Grommet - Aux. Seat Leg Hole	4
		Section 29-15	
		RETAINERS - FLOOR MAT	
	645223	Retainer120" WB - Frt. & Rr	4
	645223	Retainer129" WB - Frt	2
	645224	Retainer -129" WB - Rear	2
	626755	Screw (#8X 1 OHCR) 120" WB	36
	626755	Screw (#8X 1 OHCR) 129" WB	44
		Section 29-16	
		HEAD RESTRAINT - FRONT SEAT	
		Refer to Consolidated List of Interior Trim for Head Restraint Asm. And Covers - Section 29-39	
	626825	Staple - Head Restraint Cover Mounting	10

GROUP 29 – INTERIOR - 29-10

Item	Part Number	Description	Qty
		Section 29-17 HEAD RESTRAINT MOUNTING	
	644519	Guide - Mounting	2
	644518	Plate - Mounting	2
	626642	Rivet - Guide & Plate Mounting (3/16 Dia. Pop)	4
	646314	Cover - Mounting	2
		Section 29-18 SEAT ASSEMBLY - FRONT LESS CUSHION & HEAD RESTRAINTS Refer to Consolidated List of Interior Trim for Seat Assemblies - Section 29-38	
		Section 29-19 TRIM PANEL - SEAT BACK Refer to Consolidated List of Interior Trim for Trim Panels - Section 29-38	
	626456	Screw & Washer Asm. - Trim Panel Mt. (#8 X 3/4 OHCR Tap. #6 Hd.)	7
		Section 29-20 CUSHION - FRONT SEAT Refer to Consolidated List of Interior Trim for Cushion Assemblies and Covers - Section 29-38	
	626072	Hog Ring - Cover Attaching	45

GROUP 29 – INTERIOR - 29-11

Item	Part Number	Description	Qty
		Section 29-21 BACK ASSEMBLY - REAR SEAT Refer to Consolidated List of Interior Trim for Back Assemblies and Covers - Section 29-38	
		Section 29-22 CUSHION ASSEMBLY - REAR SEAT Refer to Consolidated List of Interior Trim for Cushion Assemblies and Covers - Section 29-38	
		Section 29-23 MOUNTING - BACK ASSEMBLY - REAR STANDARD SEAT	
	161901	Upper Bracket(#10 X 5/8 PHCR)	2
	174916	Lockwasher - Lower Bracket (1/4 Int. Ext. Tooth)	2
	120375	Nut - Lower Bracket (1/4-20 Hex.)	2
		Section 29-24 MOUNTING - BACK ASSEMBLY - REAR SEAT FORWARD	
	626456	Screw & Washer - Upper Bracket (#8 X 3/4 OHCR)	2
	626449	Screw & Ext. Tooth LW Asm. - Lower Bracket (1/4-20 X 1/2 Hex)	2
		Section 29-25 ROD- HOLD DOWN - REAR SEAT CUSHION	
	646327	Rod - Hold Down Standard Seat	2
	646501	Hold Down Rear Seat Forward	2
	626403	Nut, Washer & Sealer Asm. (1/4-20)	2
	626862	Washer - Sealer	2

GROUP 29 – INTERIOR - 29-12

A	A	A	A
11	11	12	12
	E		E

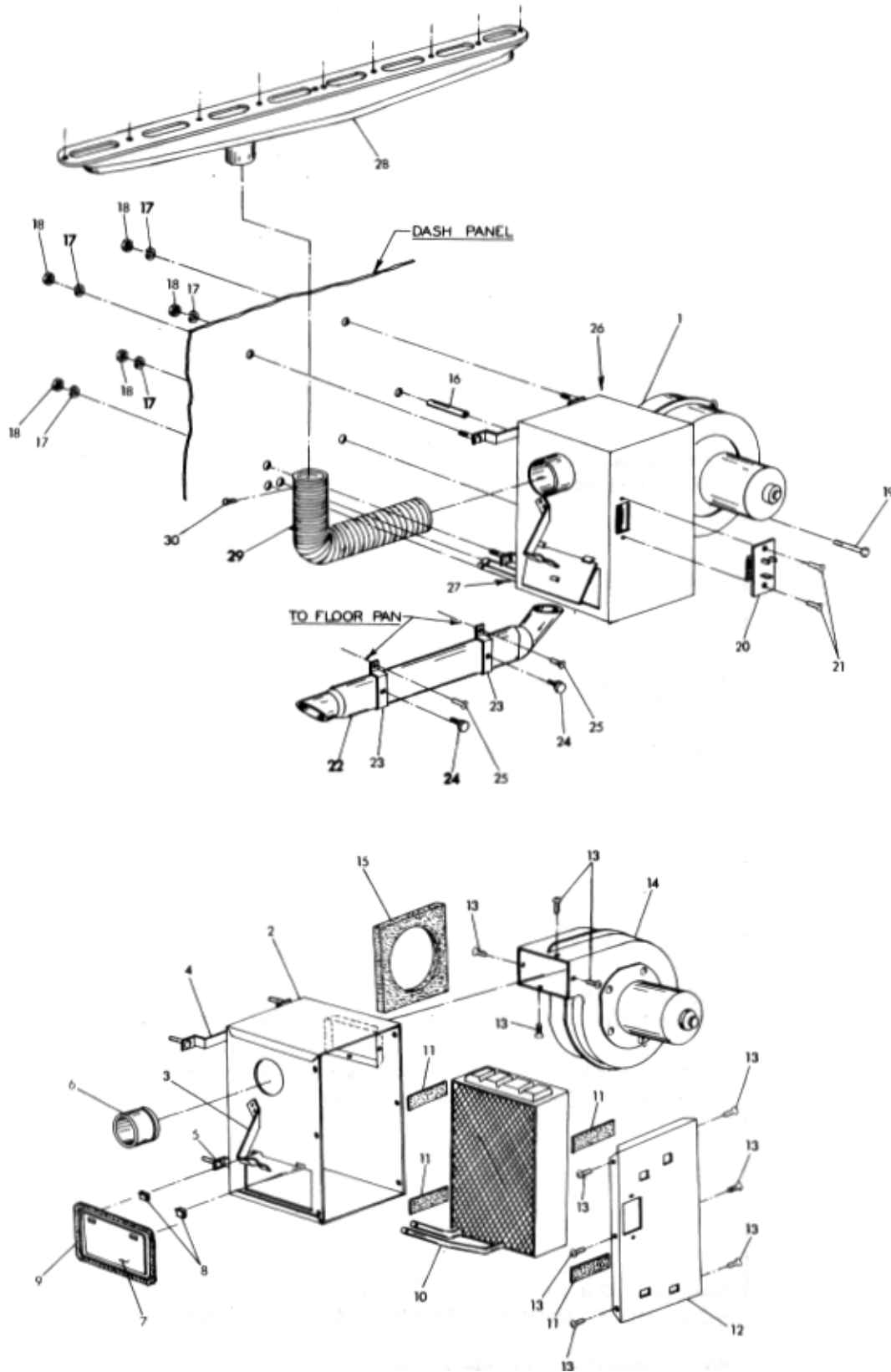


Figure 29-26 Heater Assembly .Dash Mounted

Checker Motors Corp.

GROUP 29 – INTERIOR - 29-13

Item	Part Number	Description	Qty
Figure 29-26 HEATER ASSEMBLY - DASH MOUNTED			
1	641451	Heater Asm	1
2	634294	Housing	1
3	634299	Bracket - Heater Cable	1
4	631822	Bracket Asm. - Heater Mounting	1
5	639809	Bracket Asm. - Heater - Lower	1
6	632088	Grommet - Defroster Hose	1
7	634296	Door - Dash Mounted Heater	1
8	634337	Hinge - Heater Door	2
9	634325	Gasket - Door	1
10	637203	Core Asm	1
11	632265	Insulator - Heater Core	4
12	634794	Cover	1
13	163158	Screw (#8 X 3/8 PHCR)	10
14	641449	Blower Asm. - Heater (10 Amp)	1
	05984	Locknut - Motor Mounting	1
	011930	Motor Asm	1
	05975	Fan Asm	1
	02855	Case & Bracket Asm. - Blower	1
	05985	Screw (8 - 18 X .375) Motor to Case	5
15	640293	Gasket - Heater Blower Inlet	1
16	634324	Spacer - Blower Mounting to Dash	1
17	120380	Lockwasher (1/4 Med. Spring)	5
18	120375	Nut (1/4-20 Hex)	5
19	121973	Bolt (1/4-20 X 2 3/4 Hex)	1
20	647035	Resistor Asm. - Blower	1
21	161895	Screw (#10 X 1/2 PHCR)	2
22	640481	Duct - Heater Air	1
23	640486	Clip - Heater Duct Retainer	2
24	626628	Clip Asm	2
25	161869	Screw (#8 X 5/8 PHCR)	2
26	MA-140	Tape - Waterproof (1 1/2" Wide)	A/R
27	ML-106	Permagum	A/R
28	639233	Duct & Gasket Asm. - Defroster	1
29	653110	Hose - Defroster	1
30	626790	Rivet (3/16 Pop)	1

GROUP 29 – INTERIOR - 29-14

Item	Part Number	Description	Qty
		Section 29-27	
		SEAT ADJUSTER	
	647631	Support & Adjuster Asm. - LH	1
	647632	Support & Adjuster Asm. - RH	1
	05551	Spring - Adjusting Latch	2
	647681	Wire - Seat Adjusting Connecting	1
	137185	Cotter Pin (1/8 X 1)Wire to Seat Frame	1
	456695	Screw & Lockwasher Asm. (5/16-18 X 3/4 Hex) Rear of Support to Floor	4
	626479	Screw & Lockwasher Asm. (5/16-18 X 1 1/2 Hex) Front of Support to Floor	4
	446477	Washer (7/16 ID X 1 3/8 CD Plain)	12
	120393	Washer (11/32 ID X 11/16 OD Plain)*	4
	120214	Lockwasher (5/16 Med. Spring)	4
	120368	Nut (5/16-24 Hex)	4
		(Above Marked (*) Seat Asm. to Adjuster Mounting)	
		Section 29-28	
		SEAT BELTS & HARNESS	
		Front Seat	
	653195	Harness Asm. - LH	1
	653193	Belt Asm. - Center	1
	653196	Harness Asm. - RH	1
	644301	Bolt - Anchor -Short - Harness to Center Pillar	2
	646716	Bolt - Anchor - Long - Belts to Floor	6
	120396	Washer (17/32ID X 1 1/16 CD Plain) Harness to Center Pillar Spacing	6
		Rear Seat - Standard	
	653191	Belt & Retractor Asm	2
	653194	Belt Asm. - Center	1
	644301	Bolt - Anchor - Short	6
		Rear Seat - With Rear Seat Forward	
	653192	Belt & Retractor Asm	2
	653193	Belt Asm. - Center	1
	644301	Bolt - Anchor - Short	6

GROUP 29 – INTERIOR - 29-15

Item	Part Number	Description	Qty
		Section 29-29	
		PANEL - SHELF TRIM	
	634034	Panel - With Standard Rear Seat	1
	644490	Panel - W/Standard Seat - Window Defogger	1
	646578	Panel - W/Rear Window Defogger & Rear Seat Speaker	1
	638051	Panel - W/Rear Seat Forward	1
	644491	Panel - RSF W/Window Defogger	1
	646582	Panel - With Rear Window Defogger & Rear Seat Speaker - RSF	1
		Section 29-30	
		COAT HOOK - A12 ONLY	
	653088	Coat Hook	2
	163451	Screw (#8-18 X 3/4 OHCR)	2
		Section 29-31	
		TRIM PANELS - REAR QUARTER	
		Refer to Consolidated List of Interior Trim for Trim Panel - Section 29-39	
	626456	Screw & Washer Asm. Trim Panel Mounting	2
	626299	Plug (1 1/4 Dia.) Rear Quarter Panel Button	4
		Section 29-32	
		FACING - REAR WHEELHOUSE	
		Refer to Consolidated List of Interior Trim for Facing - Section 29-39	
		Section 29-33	
		ASSIST STRAPS	
		Refer to Consolidated List of Interior Trim for Straps - Section 29-39	
	634474	Cap - Assist Strap	2
	147897	Screw - Strap Mounting (1/4-20 X 1/2 RHCR)	8

GROUP 29 – INTERIOR - 29-16

Item	Part Number	Description	Qty
		Section 29-34	
		LUGGAGE COMPARTMENT	
	634041	Panel - Luggage Compartment Front Trim	1
	638053	Panel - Luggage Compartment Rear Seat Forward	1
	626456	Screw & Washer Asm. (#8 X 3/4 OHCR Tap.) Panel to Shelf Panel	2
	634542	Mat - Luggage Compartment	1
	640178	Mat - Luggage Compartment Rear Seat Forward	1
	633063	Rod & Bracket Asm. Spare Tire Mounting	1
	144235	Wingnut (7/16-14) Spare Tire Mounting	1
	120854	Bolt (1/4-20 X 5/8) Spare Tire Bracket Mounting	2
	120380	Lockwasher - (1/4 Med Spr.) Spare Tire Bracket Mounting	2
		Section 29-35	
		SEAT - AUXILARY - ROUND 120" WB	
		Seat Asm. - Auxilary	1
		Pad Asm. - Seat Back	1
		Cushion Asm. - Seat	1
		Cover - Seat Cushion	1
		Note: for Above Items Refer to Consolidated List of Interior Trim - Page 14.	
	633288	Back & Hinge Asm. - Gray	2
	645560	Back & Hinge Asm. - Red	2
	651628	Back & Hinge Asm. - Black	2
	645157	Back & Hinge Asm. - Brown	2
	645158	Back & Hinge Asm. - Blue	2
	630433	Hinge Asm. - Seat Back - Female	1
	156947	Screw - Hinge to Back (#10-24 X 5/16 OHCR)	10
	630437	Pin - Seat Back Hinge	2
	626483	Spring Washer - Seat Back Hinge	2
	626305	Ring - Seat Back Hinge Pin Ret	2
	647556	Pad Asm. - Auxilary Seat Protective Gray - AI 1 Only	2
	647557	Pad Asm. - Auxilary Seat Protective Red - AI 1 Only	2
	651581	Pad Asm. - Auxilary Seat Protective Black - All Only	2
	653106	Leg & Support Asm. - Auxilary Seat	2
	189129	Screw (1/4-20 X 5/8 THCR) Leg & Supt. Asm. to Cushion Panel	8
	451744	Nut (1/4-20 Weld) Leg & Supt. Asm. to Cushion Panel	8
	630434	Hinge - Seat Leg - Male	2
	626320	Rivet (11/32 X 1 Pop) Male Hinge to Leg	4
	630435	Hinge - Seat Leg - Female	2
	626484	Spring Washer	4
	424801	Pin (1/2 X 4 1/2) Hinge to Leg	2
	626914	Screw (3/8-24 X 3/4 FHCR) Hinge to Floor	8
	138617	Lockwasher - Hinge to Floor (3/8 C/S Ext. Tooth)	8
	634475	Shield - Auxilary Seat Hinge	2
	626611	Screw (#8 X 1/2 PHCR Tap.)	8
	634473	Cover - Auxilary Seat Leg Hole Use When Aux. Seats Are Omitted	2

GROUP 29 – INTERIOR - 29-17

Item	Part Number	Description	Qty
		Section 29-36	
		SEAT - AUXILARY - EXPORT 129" WB	
	653243	Seat Asm. - Export Auxiliary Complete LH - Cab Gray	1
	653244	Seat Asm. - Export Auxiliary Complete RH - Cab Gray	1
	653245	Seat Asm. - Export Auxiliary Complete LH - Cab Red	1
	653246	Seat Asm. - Export Auxiliary Complete RH - Cab Red	1
	653247	Seat Asm. - Export Auxiliary Complete LH - Brown Vinyl	1
	653248	Seat Asm. - Export Auxiliary Complete RH - Brown Vinyl	1
	653249	Seat Asm. - Export Auxiliary Complete LH - Blue Vinyl	1
	653250	Seat Asm. - Export Auxiliary Complete RH - Blue Vinyl	1
	653251	Seat Asm. - Export Auxiliary Complete LH - Red Vinyl	1
	653252	Seat Asm. - Export Auxiliary Complete RH - Red Vinyl	1
	653253	Seat Asm. - Export Auxiliary Complete LH - Black Vinyl	1
	653254	Seat Asm. - Export Auxiliary Complete RH - Black Vinyl	1
		Back Asm. - Export Auxiliary Seat	1
		Cover Asm. - Export Aux. Seat Back	1
		Cushion Asm. - Export Auxiliary Seat - LH & RH	1
		Cover Asm. - Export Auxiliary Seat Cushion	1
		Panel Asm. - Cushion Trim	1
		Note: for Above Items Refer to Consolidated List of Interior Trim - Page 14.	
	643383	Leg Asm. - Export Auxiliary Seat	4
	138604	Lockwasher - Leg to Cushion Panel (1/4 C/S Ext. Tooth)	8
	133781	Screw - Leg to Cushion Panel (1/4-20 X 1 1/4 Fh Slot Mach.)	8
	626456	Screw & Washer Asm. (#8 X 3/4) Panel to Cushion	8
	626790	Rivet - (3/16 Pop) Panel to Cushion	4
	642286	Handle - Export Auxiliary Seat	2
	626642	Rivet - Handle to Seat	4
	630433	Hinge - Aux. Seat Back - Female	4
	162402	Screw - Hinge to Back (#8 X 3/4 OHCR)	20
	642375	Clip - Exp. Aux. Seat Back Trim	2
	630437	Pin - Auxiliary Seat Back Hinge	4
	626305	Ring - Retaining	4
	645705	Leg & Bracket Asm. Auxiliary Seat Swivel	2
	133053	Screw - Leg to Bracket (1/4-20 X 1 1/4 RH SI.)	2
	626555	Wave Washer - Leg to Bracket (1/4 ID X 1/2 CD)	2
	98446	Nut - Leg to Bracket (1/4-20 Elastic Stop)	2
	94336	Pad - Bottom of Leg	2
	161909	Screw - Leg to Seat Attaching (#10 X 1 PHCR)	8
	630435	Hinge - Aux. Seat Leg - Female	4
	424801	Pin - Seat Leg to Hinge (1/2 X 4 1/2)	4
	138617	Lockwasher - Hinge to Floor (3/8 C/S)	16
	626914	Screw - Hinge to Floor (3/8-24 X 3/4 FHCR)	1
	634475	Shield - Seat Hinge	4

GROUP 29 – INTERIOR - 29-18

A	A	A	A
11	11	12	12
	E		E

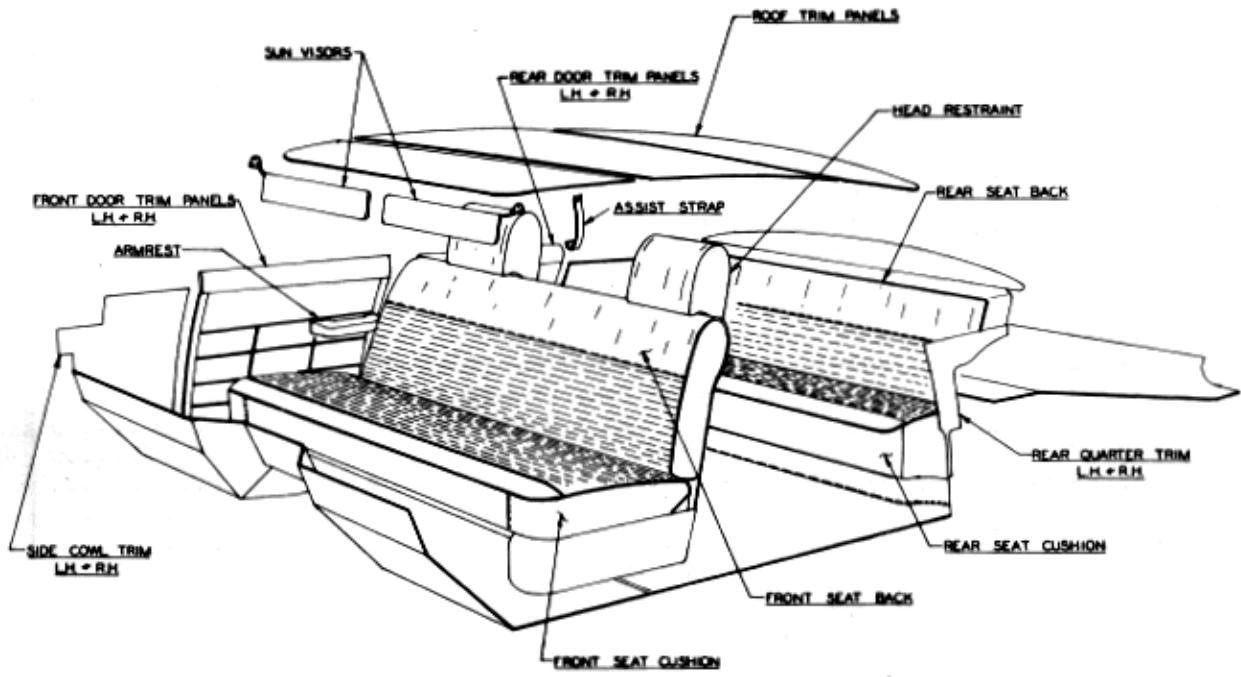


Figure 29-3 7 Consolidated List of Interior Trim

GROUP 29 – INTERIOR - 29-19

CODE	COLOR	SEAT ASM. FRONT	COVER ASM. FRT. SEAT BACK	PANEL ASM. FRT. SEAT BACK	HEAD REST. ASM. TRIMMED	COVER ASM HEAD REST	CUSH ASM FRT. SEAT	COVER ASM. FRT. SEAT CUSH	SEAT ASM. FRT. L/G	COVER ASM. L/G FRT. SEAT BACK	HEAD REST ASM. THIN BACK
CODE #1	CAB GRAY	647721	647749	645340	647820	647826	651925	647811	647722	647749	645808
CODE #31	CAB BLACK	651597	651598	645360	651612	651613	651931	651600	651601	651598	651602
CODE #28	CAB RED	647723	647750	645491	647821	647827	651926	647812	647724	647750	645986
CODE #30	CAB DR.GRAY	647725	647751	645340	647820	647826	651927	647813	647726	647751	645808
CODE #25	BLUE VINYL	647727	647752	647524	647822	647828	651928	647814			
CODE #24	BROWN	647729	647754	647523	647823	647829	651929	647816			
CODE #26	RED	647730	647755	645491	647824	647830	651930	647817			
CODE #32	BLACK VINYL	651624	651625	645360	647825	647631	651932	651627			
CODE #33	BLACK VIN & CLO	651799	651805	645360	647825	647831	651933	651806			

CODE	COLOR	COVER ASM. HEAD REST. THIN BACK	BACK ASM. REAR SEAT	COVER ASM REAR SEAT BACK	CUSH. REAR SEAT	COVER ASM REAR SEAT CUSH	FACING w/H L.H.	FACING HEAR W/H R.H.	BACK ASM R.S.F.	COVER ASM R.Sr	CUSH ASM.] RSF	COVER ASH. R.S.F. CUSH.	PANEL ASM FRI DOOR TRIM L.H.	PANEL ASH. FRI DOOR TRIM R.H.
CODE #1	CAB GRAY	645807	647732	647770	647847	647858	640301	640302	647733	647771	647548	647859	651501	651502
CODE #31	CAB BLACK	651603	651604	651605	651606	651607	646585	646586	651608	651609	651610	651611	661565	651566
CODE #28	CAB RED	645967	647734	647772	647849	647860	644365	644366	647735	647773	647850	647861	651503	651504
CODE #30	CAB DR GRAY	645807	647736	647774	647851	647862	640301	640302	647737	647775	647852	647863	651501	651502
CODE #25	BLUE VINYL		647738	647776	647853	647864	646379	646380	651541	651542	651543	651544	651505	651506
CODE #24	BROWN		647740	647778	647855	647866	646381	646382	651549	651550	651551	651552	651507	651508
CODE #26	RED		647741	647779	647856	647567	646383	646384	651553	651554	651555	651556	651503	651504
CODE #32	BLACK VINYL		651630	651631	651632	651633	646385	646386	651634	651635	651636	661637	651565	651566
CODE #33	BLACK VIN & CLO		651801	651807	651802	651806	646385	646386	651803	651809	651804	651810	651565	651566

CODE	COLOR	PANEL ASM REAR DOOR 1 20 WB LH	PANEL ASM REAR DOOR 120 WB R.H.	PANEL ASH REAR DOOR 29 WB L.H.	PANEL ASH. REAR DOOR 129 WB R.H.	PANEL ASM REAR QUAR L.H.	PANEL ASM REAR QUAR	FACING FRT. COWL SIDE L H	FACING COWL SIDE R.H.	ASM	ARMREST ASM DOOR OR REAR QUAR
CODE #1	CAB GRAY	651511	651512	651521	651522	639411	639412	640273	640274	647617	645422
CODE #31	CAB BLACK	651567	651568	651569	651570	647705	647706	646413	646414	645357	645638
CODE #28	CAB RED	651513	651514	651523	651524	645503	645504	644367	644368	645110	645635
CODE #30	CAB DK. GRAY	651511	651512	651521	651522	639411	639412	640273	640274	647617	645422
CODE #25	BLUE VINYL	651515	651516	651525	651526	647701	647702	646411	646412	645739	645637
CODE #24	BROWN	651517	651518	651527	651528	647703	647704	646415	646416	645143	645636
CODE #26	RED	651513	651514	651523	651524	645503	645504	644367	644368	645110	645635
CODE #32	BLACK VINYL	651567	651568	651569	651570	647705	647706	646413	646414	645357	645638
CODE #33	BLACK VIN & CLO	651567	651568	651569	651570	647705	647706	646413	646414	645357	645638

GROUP 29 – INTERIOR - 29-20

CODE	COLOR	DOOR OPENING W/SEAL. 120" (4) REQD	FRT. DOOR W/SEAL 129" (2)REQ'D	REAR DOOR W/SEAL 129" (2)REQ' D	PANEL SHELF TRIM	PANEL SHELF TRIM R.S.F	VISOR ASM. ENERGY ABS	AUX. SEAT ASM COMPL ROUND	PAD- AUX SEAT BACK ROUND	CUSH. ASH. AUX SEAT ROUND	COVER ASH AUX ST CUSH ROUND	CUSH. ASH. EXP AUX. ST L.H.	COVER ASM EXP AUX.ST. CUSH L.H.	PANEL ASM EXP.AUX. ST CUSH. TRIM
CODE #1	CAB GRAY	653147	653147	653148	634034	638051	651146	633287	634392	633289	634369 *	647519	645684	643109
CODE #31	CAB BLACK	653147	653147	653148	634034	638051	651500	651667	646298	651629	646497 *	651639	651638	645389
CODE #28	CAB RED	653147	653147	653148	634034	638051	651146	647466	645561	647472	647484	647521	645689	645568
CODE #30	CAB DK GRAY	653147	653147	653148	634034	638051	651146	633287	634392	633289	654369 *	647519	645684	643109
CODE #25	BLUE VINYL	653147	653147	653148	634034	658051	651146	647463	645243	647469	647481	647527	645184	645750
CODE #24	BROWN	653147	653147	653148	634034	638051	651146	647462	645242	647468	647480	647525	645183	645187
CODE #26	RED	653147	653147	653148	634034	638051	651146	647466	645561	647472	647484	647529	645170	645189
CODE #32	BLACK VINYL	653147	653147	653148	634034	638051	651500	651667	646298	651629	646497 *	651639	65/638	645389
CODE #33	BLACK VIN & CLO	653147	653147	653148	634034	638051	651500	651667	646298	651629	646497 *	651639	651638	645389

CODE	COLOR	CUSH ASM. EXP AUX. ST R.H.	COVER ASM EXP AUX ST CUSH R.H.	PANEL ASM EXP AUX ST CUSH TRIM	BACK ASM EXP AUX SEAT	COVER ASM EXP AUX SEAT BACK
CODE	CAB GRAY	647520	645684	643109	643882	643883
CODE #31	CAB BLACK	651640	651638	645389	651641	651642
CODE #28	CAB RED	647522	645689	645568	645571	645572
CODE 30	CAB DK GRAY	647520	645684	643109	643882	643883
CODE 25	BLUE VINYL	647528	645184	645750	645193	645198
CODE '24	BROWN	647526	645183	645187	645192	645197
CODE '26	RED	647530	645170	645189	645194	645199
CODE '32	BLACK VINYL	651640	651638	645389	651641	651642
CODE '33	BLACK VIN, & CLO	651640	651638	645389	651641	651642