

Group 1

FRAME AND BUMPERS

Contents

Title	Section	Page
Frame Assembly . 120" WB.....	1-1	1-2
Frame Assembly . 120" WB (Used With Forward Steering Only).....	1-2	1-4
Frame Assembly . 129" WB.....	1-3	1-6
Bumper Installation . Front.....	1-4	1-8
Bumper Installation . Rear.....	1-5	1-10

GROUP 1 - FRAME AND BUMPERS 1-2

A		A	
11		12	

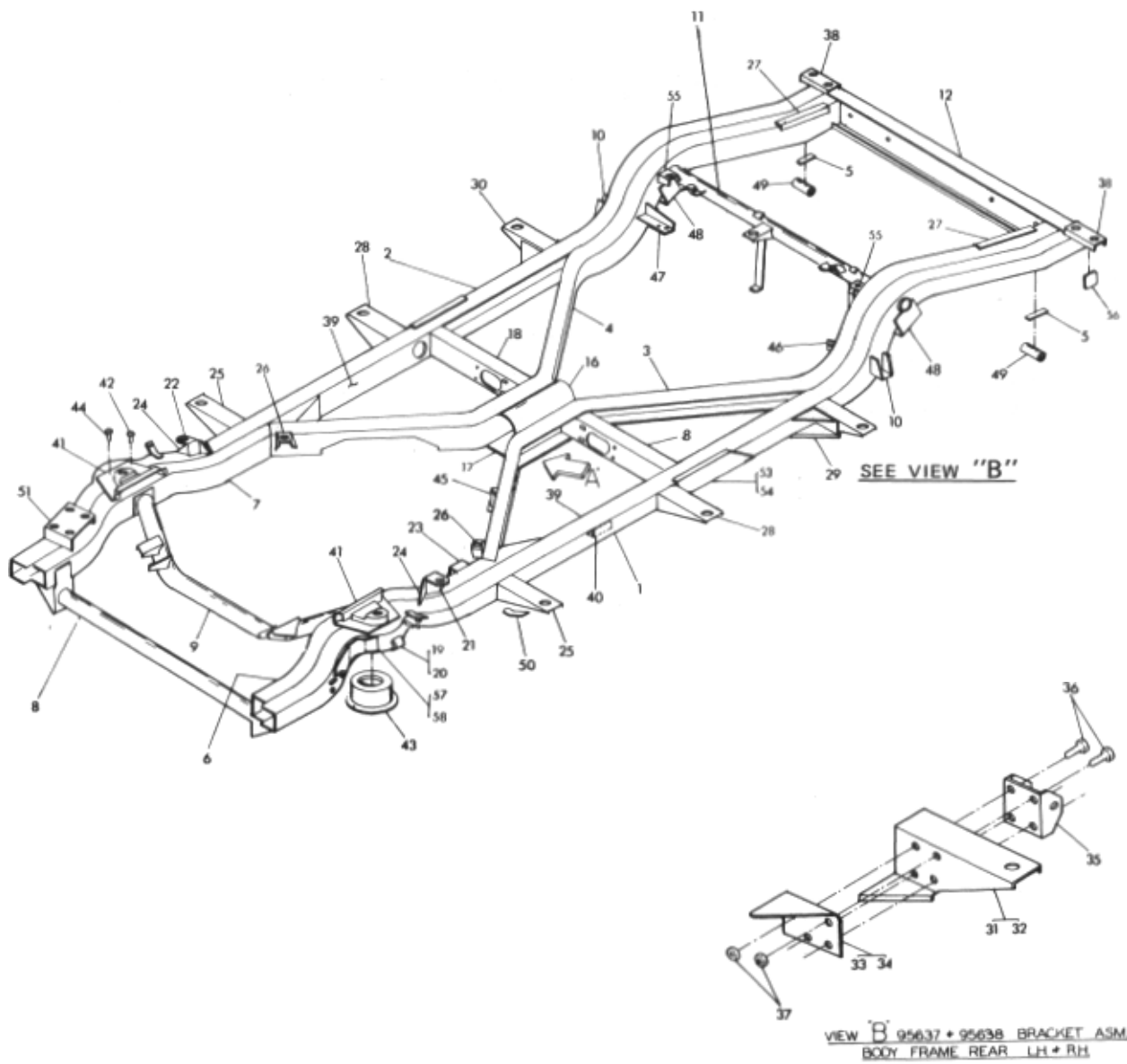
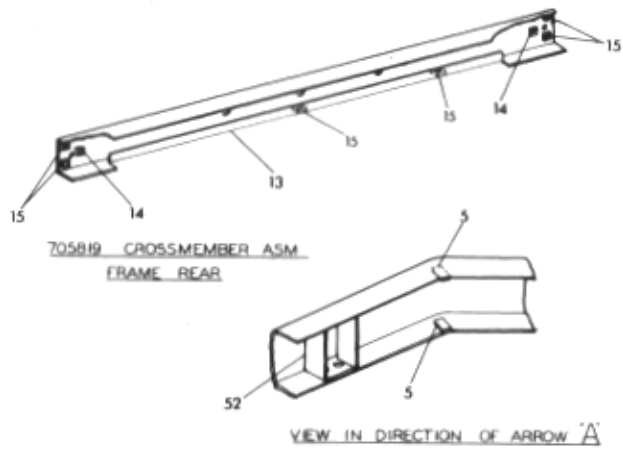


Figure 1-1 Frame Assembly 120" WB

GROUP 1 - FRAME AND BUMPERS 1-3

Item	Part Number	Description	Qty
Figure 1-1 FRAME ASSEMBLY .120" WB			
	707041	Frame Asm. .Comp. .Rearward Strg. W/Rear Mt. Battery	1
	707042	Frame Asm. .Comp. .Rearward Strg. W/Frt. Mt. Battery	1
	707050	Frame Asm. .Comp. .Fwd Strg. W/Rear Mt. Battery	1
	707051	Frame Asm. .Comp. .Fwd Strg. W/Frt. Mt. Battery	1
1	707035	Rail Asm. - Frame Side LH	1
2	707036	Rail Asm. - Frame Side RH	1
3	704789	"X" Crossmember Frame LH	1
4	704790	"X" Crossmember Frame RH	1
5	702807	Spacer - Rear Spr. Shackle Bushing	4
6	707039	Reinforcement Asm. Frame Side Rail LH	1
7	707040	Reinforcement Asm. Frame Side Rail RH	1
8	703999	Crossmember Asm. - Frt	1
9	705979	Crossmember Asm. - Frt. Susp. Rear	1
10	704093	Bracket - Axle Inhibitor Frame	2
11	93860	Crossmember Asm. - Frame Rear Kick-Up	1
12	705819	Crossmember Asm. - Frame Rear	1
13	708013	Crossmember - Rear	1
14	94742	Nut (1/2-20)	2
15	626496	Nut (3/8-24)	6
16	702332	Plate - "X" Member Tie Upper	1
17	702009	Plate - "X" Member Tie Lower	1
18	702012	Brace - Side Rail to "X" Member	2
19	92275	Brkt. - Susp. Bumper Frame LH	1
20	92274	Brkt. - Susp. Bumper Frame RH	1
21	94305	Brkt. - Dash Supt. Frame LH	1
22	94306	Brkt. - Dash Supt. Frame RH	1
23	705008	Bracket & Nut Asm. - Trans. Control Frame	1
24	704289	Reinforcement - Dash Supt. Frame Bracket	2
25	702010	Bracket - Body Frame - Frt	2
26	708054	Bracket - Body Frame Mt	2
27	708015	Angle - Frame Rail Rear	2
28	702011	Bracket - Body Frame Center	2
29	95637	Bracket Asm. - Body Frame Rear LH	1
30	95638	Bracket Asm. - Body Frame Rear RH	1
31	96133	Bracket - Body Frame Rear LH	1
32	96134	Bracket - Body Frame Rear RH	1
33	96183	Bracket - Reinforcement Spr. LH	1
34	96184	Bracket - Reinforcement Spr. RH	1
35	96103	Bracket - Frame Rear Spr. Front	2
36	181637	Bolt (3/8-24 X 1 Hex)	8
37	442828	Nut (3/8-24 Hex Lock)	8
38	94520	Bracket - Frame Rear Corner to Body Rail	2
39	704779	Plate - Frame Side Reinforcement	2
40	706561	Angle - Eng. Supt. Frame	1
41	94525	Brkt. - Upper Control Arm - Frame	2
42	142783	Rivet (5/16 X 3/4 Rnd. Hd.)	14
43	708143	Seat - Frt. Spring	2
44	141471	Rivet (5/16 X 1 Fl. Hd.)	4
45	705501	Plate Asm. - Eng. Supt. Frame	1
46	92502	Bracket - Rear Brake Hose	1
47	94296	Support - Muffler	1
48	708012	Brkt. - Rear Spring Bumper	2
49	702436	Bushing - Rear Spring Shackle Frame Mt	2
50	704243	Reinforcement - Frame to Frt. Body Bracket	2
51	701105	Bracket Asm. - Battery Supt. Frame (W/707042 & 707051)	1
52	706579	Brace - Frt. "X" Member	1
53	706899	Reinforcement - Frame Side Rail LH	1

A 11		A 12	
---------	--	---------	--

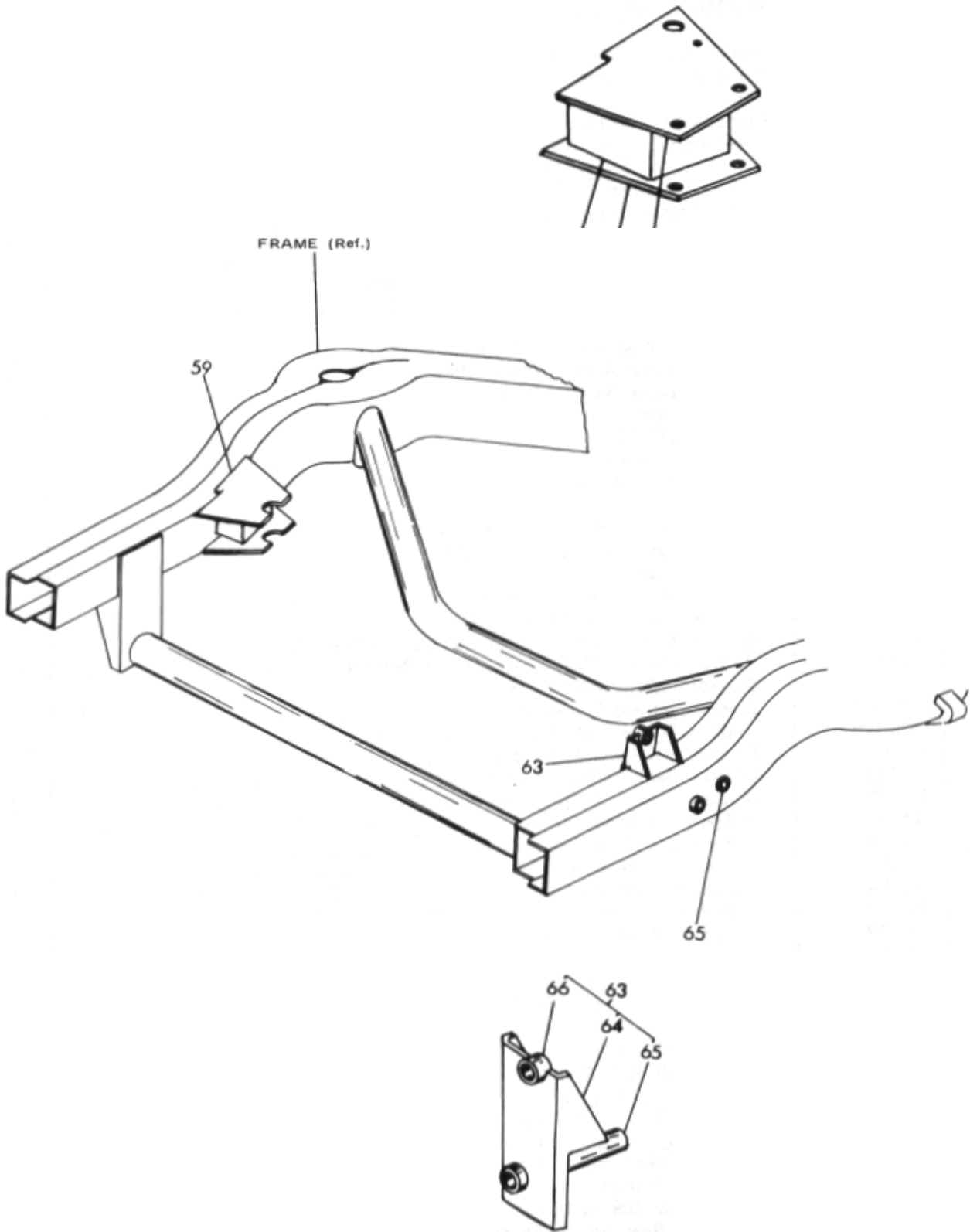


Figure 1-2 Frame Assembly .120" WB (Used With Forward Steering Only)

GROUP 1 - FRAME AND BUMPERS 1-5

Item	Part Number	Description	Qty
Figure 1-1 FRAME ASSEMBLY .120" WB (Cont'd)			
54	706900	Reinforcement .Frame Side Rail RH	2
55	706889	Bracket .Body Mt. Frame Kick-Up	2
56	706888	Plate .Rear Body Frame Bracket Reinforcement	2
57	708173	Gusset .Frame Rail LH	1
58	708174	Gusset .Frame Rail RH	1
	706697	Skid Plate .Front "X" Member	1
	626912	Screw (5/16-18 X 3/4 Hex Wa. Hd.)	3
Figure 1-2 FRAME ASSEMBLY .120" WB (Used With Forward Steering Only)			
59	705944	Bracket Asm. .Steering Idler	1
60	708094	Plate .Strg. Idler Brkt. Upr	1
61	708095	Plate .Strg. Idler Brkt. Lwr	1
62	708096	Spacer .Strg. Idler Bracket	1
63	705972	Support Asm. .Strg. Gear Bolt	1
64	708114	Support .Strg. Gear Bolt	1
65	708113	Spacer .Long	2
66	708112	Spacer .Short	1

GROUP 1 - FRAME AND BUMPERS 1-6

	A		A
	11		12
	E		E

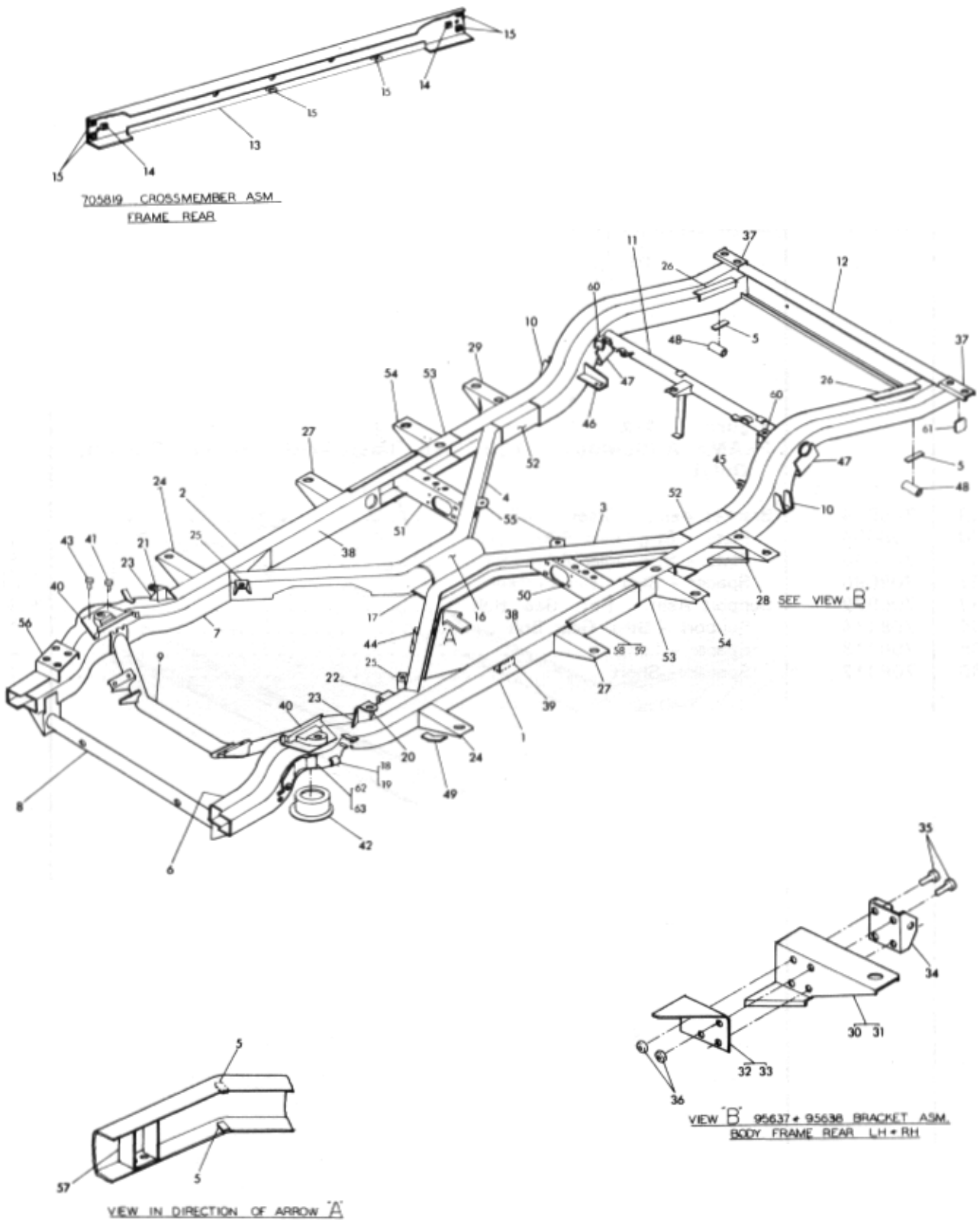


Figure 1-3 Frame Assembly .129" WB

Checker Motors Corp.

GROUP 1 - FRAME AND BUMPERS 1-7

Item	Part Number	Description	Qty
Figure 1-3 FRAME ASSEMBLY - 129" WB			
1	707047	Frame Asm. - Comp. - 129 WB W/Frt. Mt. Battery	1
	707035	Rail Asm. - Frame Side LH	1
2	707036	Rail Asm. - Frame Side RH	1
3	704209	"X" Crossmember - Frame LH	1
4	704210	"X" Crossmember - Frame RH	1
5	702807	Spacer - Rear Spr. Shackle Bushing	4
6	707039	Reinforcement Asm. - Frame Side Rail LH	1
7	707040	Reinforcement Asm. - Frame Side Rail RH	1
8	703999	Crossmember Asm. - Frt	1
9	705979	Crossmember Asm. - Frt. Susp. Rear	1
10	704093	Bracket - Axle Inhibitor Frame	2
11	93860	Crossmember Asm. - Frame Rear Kick-Up	1
12	705819	Crossmember Asm. - Frame Rear	1
13	708013	Crossmember - Frame Rear	1
14	94742	Nut (1/2-20)	2
15	626496	Nut (3/8-24)	6
16	702332	Plate - "X" Member Tie Upper	1
17	702009	Plate - "X" Member Tie Lower	1
18	92275	Bracket - Susp. Bumper Frame LH	1
19	92274	Bracket - Susp. Bumper Frame RH	1
20	94305	Bracket - Dash Supt. Frame LH	1
21	94306	Bracket - Dash Supt. Frame RH	1
22	705008	Bracket & Nut Asm. - Trans. Control Frame	1
23	704289	Reinforcement - Dash Supt. Frame Bracket	2
24	702010	Bracket - Body Frame Frt	2
25	708054	Bracket - Body Mt. Frame	2
26	708015	Angle - Frame Rail Rear	2
27	702011	Bracket - Body Frame Center	2
28	95637	Bracket Asm. - Body Frame Rear LH	1
29	95638	Bracket Asm. - Body Frame Rear RH	1
30	96133	Bracket - Body Frame Rear LH	1
31	96134	Bracket - Body Frame Rear RH	1
32	96183	Bracket - Reinforcement Spr. LH	1
33	96184	Bracket - Reinforcement Spr. RH	1
34	96103	Bracket - Frame - Rear Spring Frt	2
35	181637	Bolt (3/8-24 X 1 Hex)	8
36	442828	Nut (3/8-24 Hex Lock)	8
37	94520	Bracket - Frame Rear Corner to Body	2
38	704779	Plate - Frame Side Rail Reinforcement	2
39	706561	Angle - Eng. Supt. Frame	1
40	94525	Bracket - Upper Control Arm Frame	2
41	142783	Rivet (5/16 X 3/4 And. Hd.)	14
42	708143	Seat - Frt. Spring	2
43	141471	Rivet (5/16 X 1 Fl. Hd.)	4
44	705501	Plate Asm. - Eng. Supt. Frame	1
45	92502	Bracket - Rear Brake Hose	1
46	94296	Support - Muffler Frame	1
47	708012	Bracket - Rear Axle Bumper	2
48	702436	Bushing - Rear Spring Shackle Frame Mt	2
49	704243	Reinforcement - Frame to Frt. Body Bracket	2
50	704053	Brace - Side Rail to "X" Member LH	1
51	704054	Brace - Side Rail to "X" Member RH	1
52	98476	Channel - "X" Member Ext	2
53	702231	Channel - Side Rail Ext	2
54	702229	Bracket - Body Frame	2
55	702093	Bracket - Aux. Seat Anchor	2
56	701105	Bracket - Aux. Battery Supt	1

A	A	A	A
11	11	12	12
	E		E

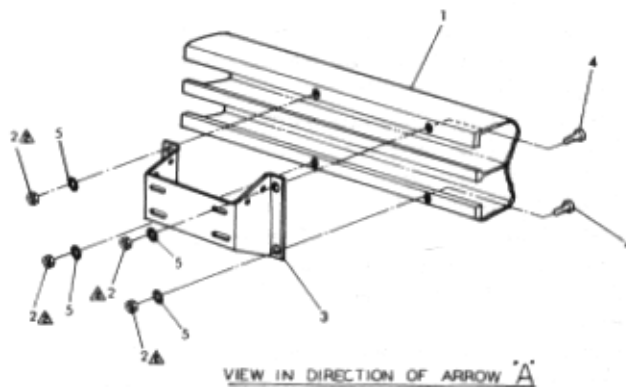
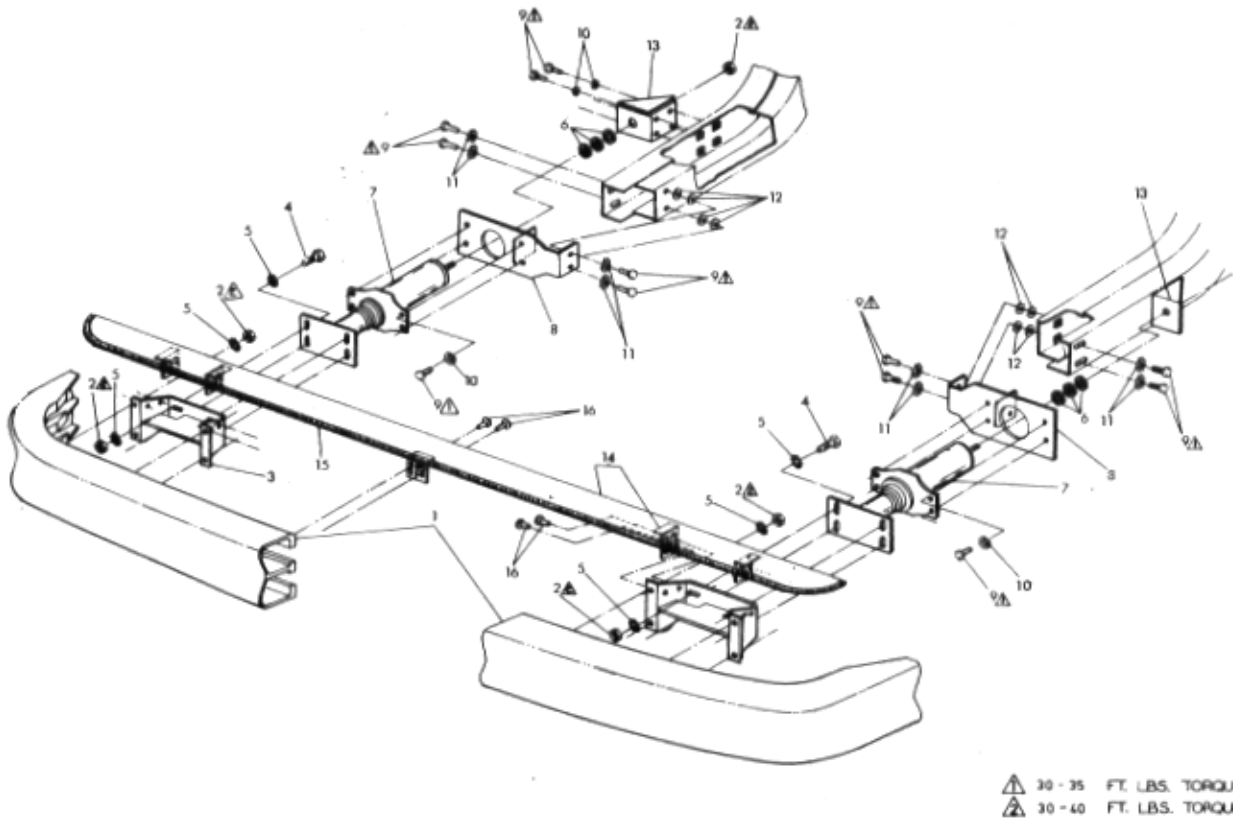


Figure 1-4 Bumper Installation .Front

GROUP 1 - FRAME AND BUMPERS 1-9

Item	Part Number	Description	Qty
Figure 1-3 FRAME ASSEMBLY - 129" WB (Cont'd)			
57	706579	Brace - Frame 'X' Member	1
58	706899	Reinforcement - Frame Side Rail LH	1
59	706900	Reinforcement - Frame Side Rail RH	1
60	706889	Bracket - Body Frame Kick-Up	2
61	706888	Plate - Rear Body Frame Bracket Reinforcement	2
62	708173	Gusset - Frame Rail LH	1
63	708174	Gusset - Frame Rail RH	1
Figure 1-4 BUMPER INSTALLATION - FRONT			
1	706741	Bar - Bumper	1
2	626868	Nut (7/16-14 Crown Lock)	18
3	705311	Bracket Asm. - Bumper Mt	2
4	180147	Bolt (7/16-14 X 1 1/4 Hex)	16
5	178571	Lockwasher (7/16 Int. Ext. Tooth)	24
6	120388	Washer (7/16 ID X 1 OD)	A/R
7	705513	Energy Absorber Asm	2
8	705111	Bracket Asm. - Absorber Mt	2
9	181637	Bolt (3/8-24 X 1 Hex)	24
10	120382	LW (3/8 Med. Spr.)	16
11	178551	Lockwasher (3/8 Int. Ext. Tooth)	8
12	446363	Washer (3/8 ID X 7/8)	A/R
13	705112	Bracket Asm. - Absorber Mt	2
14	653149	Panel Asm. - Sight Shield	1
15	646878	Gasket - Sight Shield	1
16	626642	Rivet (3/16 Dia. Pop)	10

GROUP 1 - FRAME AND BUMPERS 1-10

A	A	A	A
11	11	12	12
	E		E

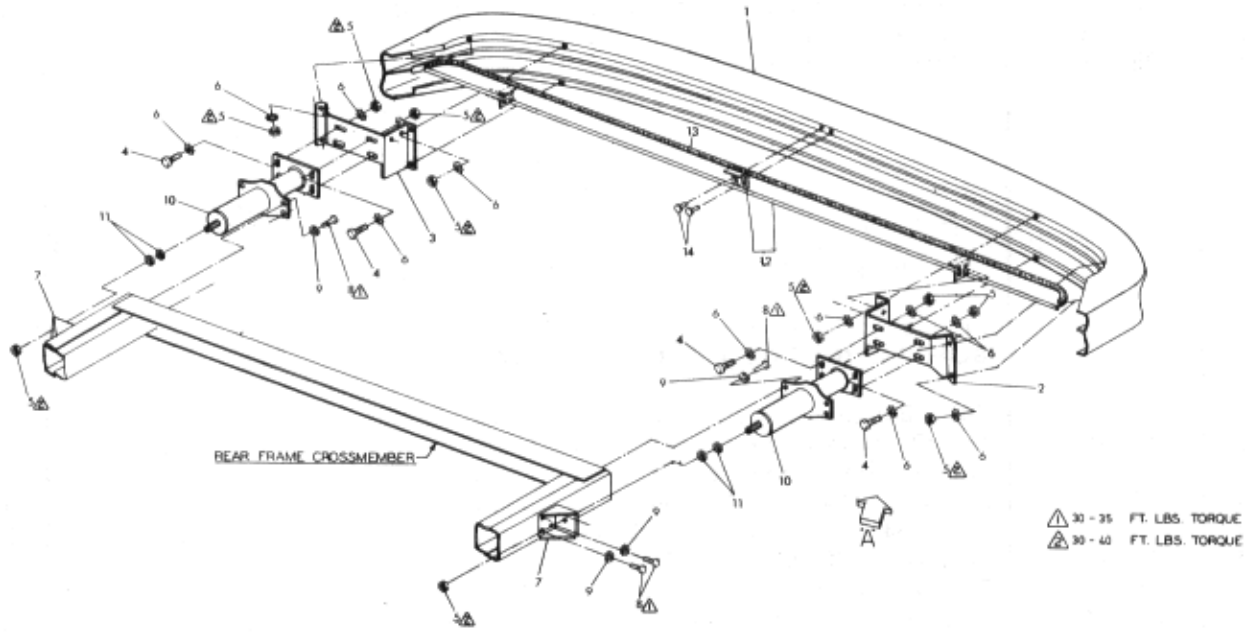
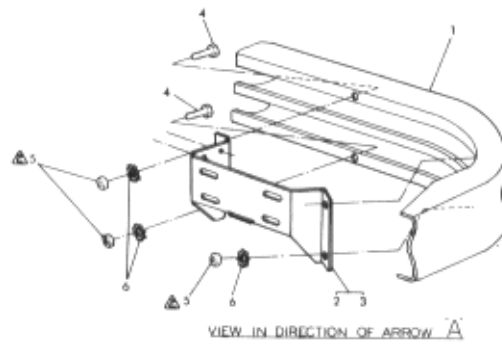


Figure 1-5 Bumper Installation -Rear



GROUP 1 - FRAME AND BUMPERS 1-11

Item	Part Number	Description	Qty
Figure 1-5 BUMPER INSTALLATION - REAR			
1	706741	Bar Bumper	1
2	705329	Bracket Asm. Mt. LH	1
3	705330	Bracket Asm. Mt. RH	1
4	180147	Bolt (7/16-14 X 1 1/4 Hex)	16
5	626868	Nut (7/16-14 Crown Lock)	18
6	178571	Lockwasher (7/16 Int. Ext. Tooth)	24
7	705112	Bracket Asm. Absorber Mt	2
8	181637	Bolt (3/8-24 X 1 Hex)	12
9	120382	LW (3/8 Med. Spring)	12
10	705513	Energy Absorber Asm	2
11	120388	Washer (7/16 ID X 1 OD)	A/R
12	653150	Panel Asm. Sight Shield	1
13	646878	Gasket Sight Shield	1
14	626642	Rivet (3/16 Dia. Pop)	16