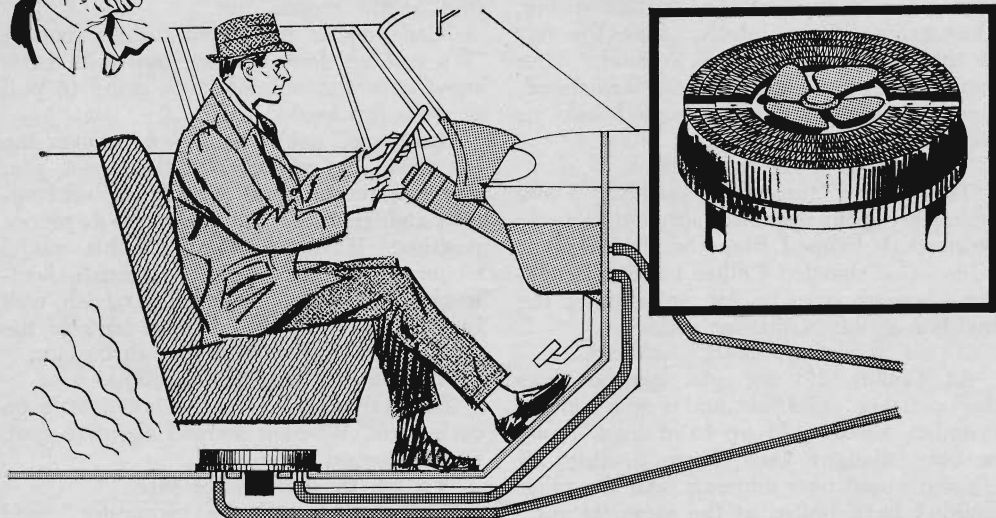


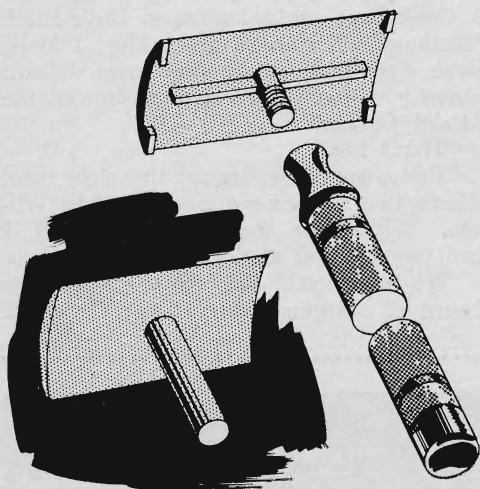


Hints from the Model Garage

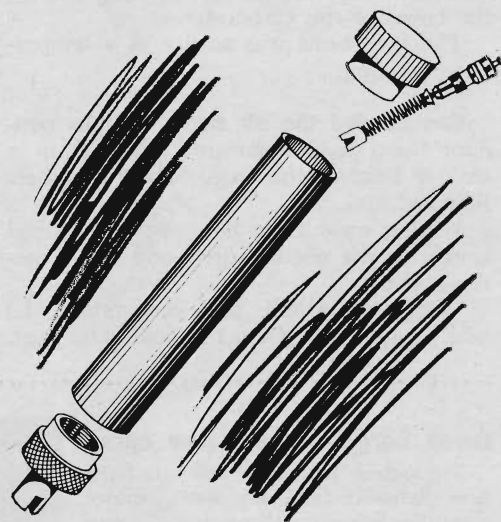


A common fault of under-dash heaters is the lack of heat for rear-seat passengers. Solution: Install an under-seat heater (from any 1948-1955 General Motors car) under the front seat, discard the heater cover, and cut holes in the floor for the fan motor and hose connections.

Run a hose from the dash heater outlet to the under-seat heater's intake and a return hose from the heater to the engine. Run a wire from the fan motor to a rheostat switch on the dash and then to a hot terminal. The car's original heater control now operates both heaters.



To remove upper halves of main bearings, improvise a tool from an old safety razor. Discard the backing plate and grind away all projections on the faceplate. Cut the handle in two. Turn down the top half in a lathe until it fits the journal's oil hole; then screw it back on (left).

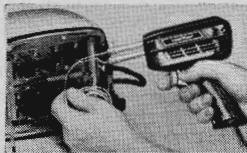


To store spare valves so they won't stray or get damaged, carry them in a container that's also a tool for removing and replacing tire-valve cores. Solder a valve cap on a short piece of $\frac{1}{8}$ " brass or copper tubing. Close the other end with a tight-fitting plastic cap.

The most useful gift you can give or receive



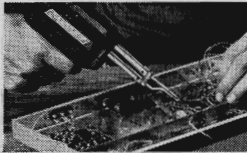
Weller® DUAL HEAT SOLDERING GUN KIT



ELECTRICAL REPAIRS



METAL MENDING



HI-FI KIT BUILDING



HOBBIES AND CRAFTS

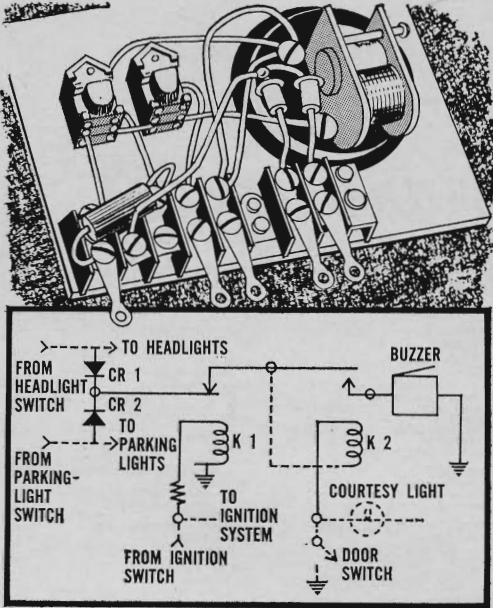
Be sure it's a Weller. More Weller soldering guns are sold than all other makes combined. Unmatched for value, features and performance.

Heats fastest. Reaches full soldering temperature faster than any other soldering gun. No waiting.

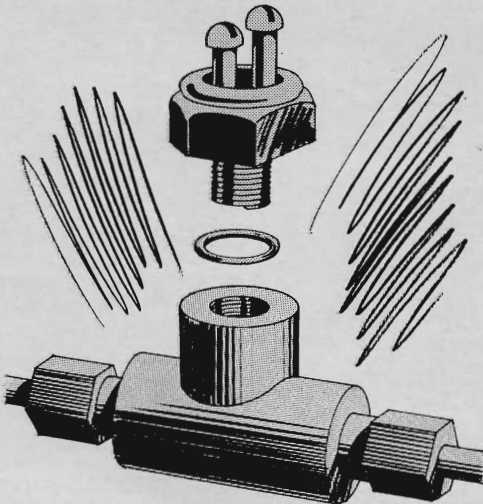
Trigger-controlled dual heat. A Weller exclusive. Two trigger positions let you switch instantly to high or low heat to suit the job.

Kit includes: Weller 100/140 watt dual heat gun, 3 soldering tips, tip-changing wrench, flux brush, soldering aid, solder, break-proof plastic case. Model 8200PK. **\$895** list

WELLER ELECTRIC CORP., Easton, Pa.
WORLD LEADER IN SOLDERING TECHNOLOGY



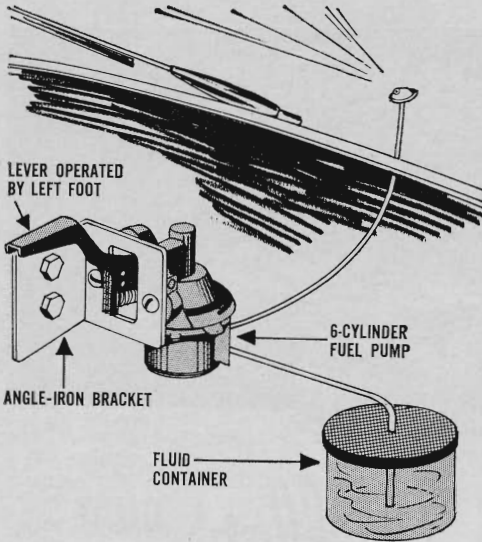
To avoid leaving headlights on after you've parked your car, make this simple audio alarm. It sounds off when the ignition is turned off and the door opens—if the headlights are on. K1 and K2 are 15-VDC war-surplus relays; CR1 and CR2 are silicon diodes with a 500 ma. rating.



When replacing a stoplight switch that's defective, you may find the threaded hole in the T union so stretched that the new switch won't fit tight enough, causing a brake-fluid leak. Slip a spark-plug ring over the end of the new switch and you have a leakproof joint.

Continued

More Hints from the Model Garage



Make your own windshield washer by mounting a fluid container on the firewall or on the engine-compartment sheet metal. Run a pipe to a six-cylinder-Ford fuel pump fastened with an angle bracket to the left side of the cowl. Add a foot lever and run tubing to the nozzles.

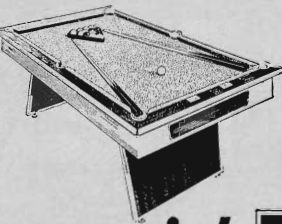
Your Auto Hint Can Win a \$15 Prize

Have you found an easier way to do a difficult job on your car? Have you worked out a short cut that is saving you money on repairs? Have you discovered a way to improve the family car at little cost? Have you devised ways to make your driving safer, to add to your driving comfort or convenience, or to change some feature or detail you disliked about your car?

If you have come up with any good ideas along these lines, we would like to know about it. We want new ideas and offer a prize of \$15 for each one we publish.

Send us a complete description of your hint—typewritten if possible—and include a rough pencil drawing and/or a photograph if you feel that this will make it more easily understood. Address your entry to:

Model Garage Editor
POPULAR SCIENCE MONTHLY
353 Lexington Ave.
New York, N.Y. 10017



Brunswick 
THE NO. 1 NAME IN BILLIARDS

see **BRUNSWICK Home Tables**
at these fine dealers

- CONNECTICUT**
BRIDGEPORT
Carroll Sales Co.
T. Cappy & Son, Inc.
DARIEN
Darien Sport Shop, Inc.
EAST NORWALK
Mola Bros.
HARTFORD
Ailing Sportshops (All Stores)
STAMFORD
Suburban Sportsman
- DELAWARE**
WILMINGTON
Huber & Co.
Herman C. Matthes, Jr.
- DISTRICT OF COLUMBIA**
WASHINGTON
Conn. Billiard & Bowling Supply Co.
Giant Foods
Hoke Coin Machine Service
- MARYLAND**
BALTIMORE
A1's Billiard Supply Co.
The Hecht Co.
Levenson & Klein
Triangle Sporting Goods
BLADENBURG
ABC Billiard Supply Co.
LANDOVER
Giant Foods
TIMONIUM
Jan Cagle's Cue Club
- MASSACHUSETTS**
AYER
L. Grossman & Sons
BILLERICA
L. Grossman & Sons
BRAintree
L. Grossman & Sons
FALMOUTH
L. Grossman & Sons
FITCHBURG
L. Grossman & Sons
FRAMINGHAM
L. Grossman & Sons
HYANNIS
L. Grossman & Sons
INDIAN ORCHARD
L. Grossman & Sons
IPSWICH
L. Grossman & Sons
LYNN
Lynway Bowling and Billiard Supplies
MALDEN
L. Grossman & Sons
MARSHFIELD
L. Grossman & Sons
NEW BEDFORD
L. Grossman & Sons
NORTH CHELMSFORD
L. Grossman & Sons
- QUINCY**
L. Grossman & Sons
STOUGHTON
L. Grossman & Sons
TAUNTON
L. Grossman & Sons
WARRENHAM
L. Grossman & Sons
WELLESLEY
L. Grossman & Sons
WEST SPRINGFIELD
L. Grossman & Sons
WILMINGTON
L. Grossman & Sons
- NEW HAMPSHIRE**
PORTSMOUTH
L. Grossman & Sons
SALEM DEPOT
L. Grossman & Sons
NEW JERSEY
NEW JERSEY
Bambertors (All Stores)
R & S Stores (All Stores)
DOVER
Dover Sports Center
ELIZABETH
Custom Billiard Supplies
- Kolkers Toys
GREENBROOK
Tiny Tots, Inc.
LINJEN
Kiddy Dart
LONG BRANCH
Perrys Bowling & Billiard Supply
NEW BRUNSWICK
Meyer's Discount Mart
NEWARK
Krupps Toy Shops
RAHWAY
Amorelli's Sport Shop
SOMERVILLE
Muller & Cashin Sporting Goods
TEANECK
Ray T. Toyland, Inc.
TRENTON
Pearl Vending Service, Inc.
- NEW YORK**
BETHPAGE, L.I.
Gerry Meyer Long Island Swimming Pool Svc. Co.
BROOKLYN
Abraham & Straus, Inc.
Banner Lumber Co.
BUFFALO
Selandra's Billiard Supplies
CHEEKTOWAGA
Frank P. Kick Athletic Goods
HICKSVILLE
Futura of L.I., Inc.
HUNTINGTON, L.I.
Harrows
KEW GARDENS, L.I.
Kew Gardens Sport Shop
MOUNT KISCO
Playmates of Mt. Kisco
NASSAU
Abraham & Straus, Inc.
B. Gortz, Inc.
NEW YORK
Abraham & Straus, Inc.
B. Gortz, Inc.
V. Loria & Sons Bowling & Billiard Supply & Equip.
PATCHOGUE, L.I.
Mid Island Billiard Table & Supply Co.
PORT CHESS
Nu-Clear Pool Svc., Inc.
POUGHKEEPSIE
Poughkeepsie Billiard Supply
QUEENS
Abraham & Straus, Inc.
B. Gortz, Inc.
ROCHESTER
Pro Billiards
Schoenheit Supplies
Tent City
ROCKVILLE CENTER
Porch & Patio, Inc.
SCARSDALE
The Sport Stop, Inc.
SEAFORD, L.I.
Brothers Three, Inc.
STATEN ISLAND
K. A. Industries
- PENNSYLVANIA**
ALLENTOWN
Gebhardt Bowling Supply Co.
CHESTER
L & H Sporting Goods
PHILADELPHIA
Active Amusement Machine Co.
Gimbles
M & H Sporting Goods
Strawbridge & Clothier
PITTSBURGH
Joseph Horne Co.
Kaufman's
UPPER MERY
Brooks Sporting Goods
- RHODE ISLAND**
NORTH KINGSTOWN
L. Grossman & Sons
WONSOCKET
L. Grossman & Sons
- VERMONT**
BRATTLEBORO
L. Grossman & Sons

and at other billiard table dealers
and department stores in your area
BRUNSWICK CORPORATION