

GROUP 8 - STEERING COLUMN AND WHEEL ASSEMBLIES 8-1

Group 8

STEERING COLUMN AND WHEEL ASSEMBLIES

Title	Contents	Section Page	
Steering Column Assembly		8-1	8-2
Steering Column & Wheel Assemblies, Plus Associated Parts, Forward & Rearward Steering		8-2	8-4
Steering Column Installation, Forward Steering		8-3	8-6
Steering Column Installation, Rearward Steering		8-4	8-6

GROUP 8 - STEERING COLUMN AND WHEEL ASSEMBLIES 8-2

A	A	A	A
11	11	12	12
	E		E

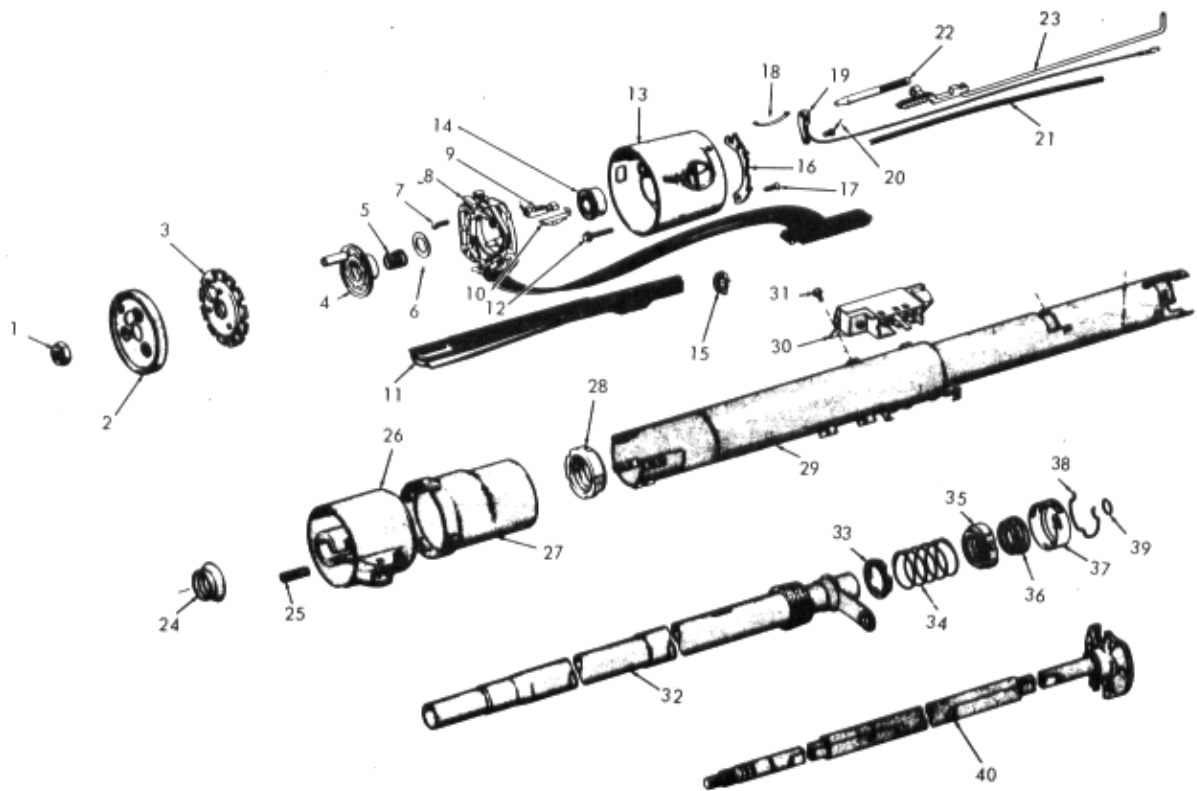


Figure 8-1 Steering Column Assembly

GROUP 8 - STEERING COLUMN AND WHEEL ASSEMBLIES 8-3

Item	Part Number	Description	Qty
Figure 8-1 STEERING COLUMN ASSEMBLY			
	707013	Column Asm. - Forward Steering	1
	705913	Column Asm. - Rearward Steering	1
1	11503521	Nut (M14 X 1.5 Hex Jam)	1
2	706799	Cover - Shaft Lock Plate	1
3	09918	Lock - Steering Shaft	1
4	07668	Cam Asm. - Cancelling	1
5	07698	Spring - Cancelling Cam	1
6	07448	Washer - Thrust	1
7	07695	Screw - Switch Mounting	3
8	09920	Switch Asm. - Turn Signal	1
	010348	Spring - Cancelling - RH	1
	010349	Spring - Cancelling - LH	1
9	07674	Switch Asm. - Buzzer	1
10	07675	Clip - Buzzer Switch	1
11	07691	Protector - Wiring	1
12	07694	Screw (Wa. Hd. Tap.)	4
13	09936	Housing Asm	1
14	NSS	Bearing - Housing	1
15	07678	Sector - Ignition Switch	1
16	09885	Gate - Shift Lever	1
17	07677	Screw - Gate Mounting	2
18	07679	Spring - Rack Preload	1
19	07681	Socket Asm. - Light	1
20	NSS	Screw - Socket Asm. Mounting	1
21	07692	Protector - Wiring	1
22	07671	Pin & Spring Asm	1
	07680	Washer - Spring Thrust	1
23	09853	Rod & Rack Asm	1
24	07676	Cup - Thrust	1
25	09884	Spring - Shift Lever	1
26	09868	Bowl - Shift Lever	1
27	09869	Shroud - Shift Bowl	1
28	07684	Bearing - Shift Bowl - Lower	1
29	09937	Jacket Asm. - Steering Column	1
30	09940	Switch Asm. - Ignition	1
31	09850	Screw & LW Asm	2
32	07686	Shift Tube Asm	1
33	07699	Washer - Spring Thrust	1
34	09875	Spring - Shift Tube Return	1
35	07659	Adapter - Lower Bearing	1
36	07652	Bearing Asm. - Lower	1
37	07693	Retainer - Bearing Adapter	1
38	07689	Clip - Bearing Adapter	1
39	07442	Retainer Ring - Shaft Lock Plate	1
40	09939	Steering Shaft Asm. W/Rearward Steering	1
	09938	Steering Shaft Asm. W/Forward Steering (Not Shown)	1
	09921	Kit - Hazard Warning Knob	1
	706138	Knob	1
	11503505	Screw (M3.5 X 1.27 X 22 OHCR)	1
	09941	Kit - Shaft Repair	1
	NSS	Adhesive	1
	NSS	Primer	1
	NSS	Ring - Retaining	3

GROUP 8 - STEERING COLUMN AND WHEEL ASSEMBLIES 8-4

A	A	A	A
11	11	12	12
	E		E

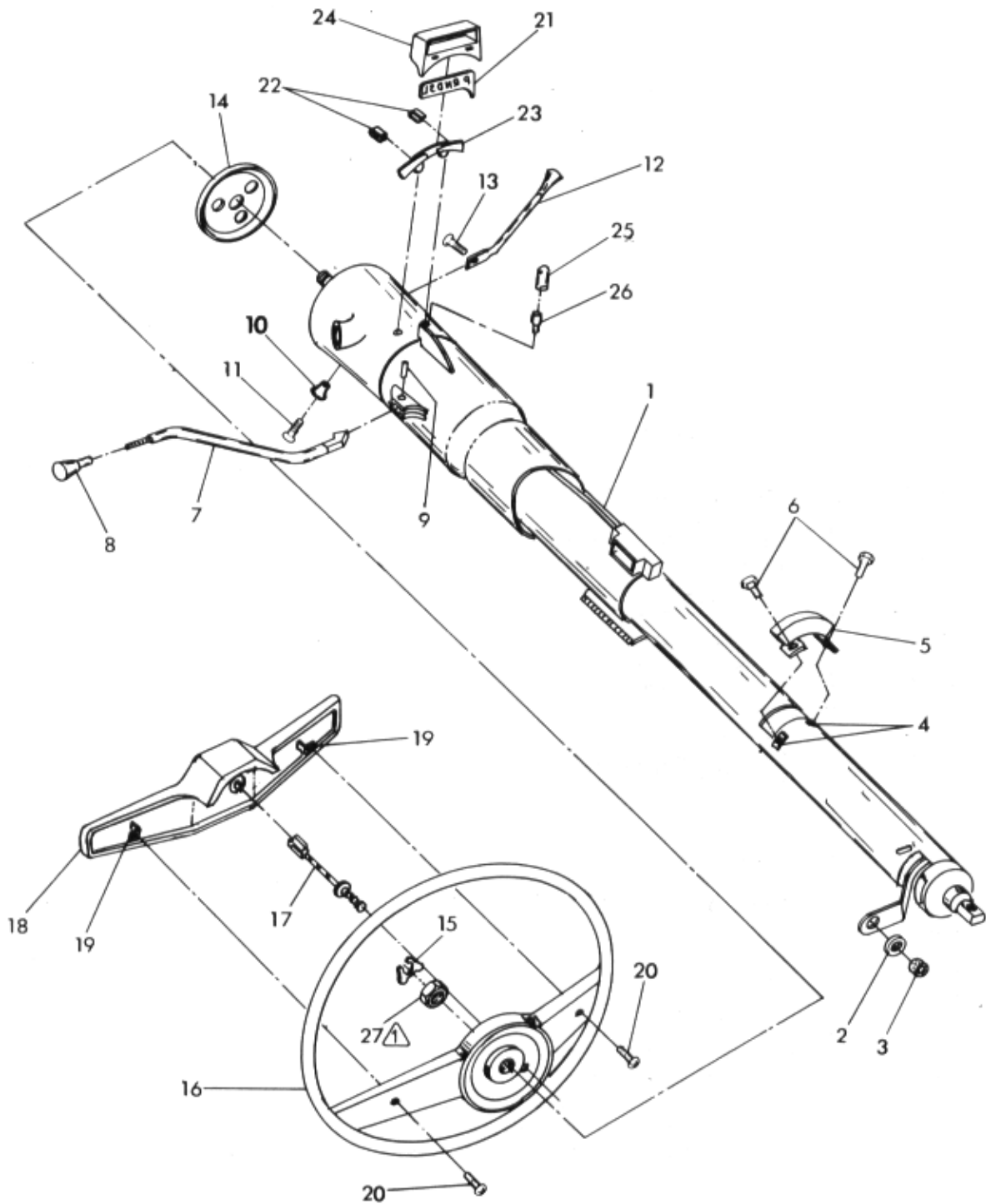


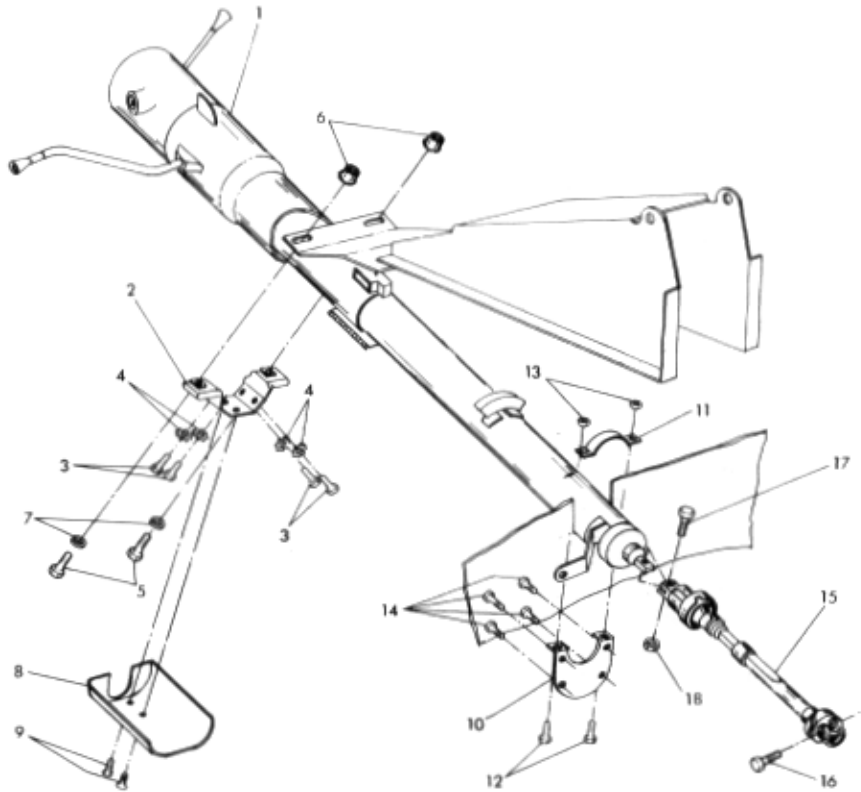
Figure 8-2 Steering Column & Wheel Assemblies, Plus Associated Parts, Forward & Rearward Steering

Checker Motors Corp.

GROUP 8 - STEERING COLUMN AND WHEEL ASSEMBLIES 8-5

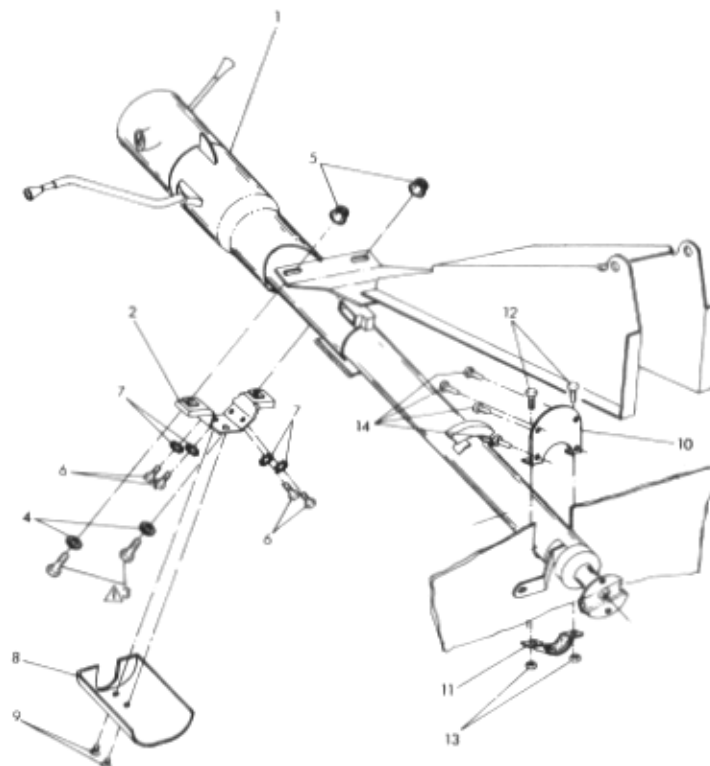
Item	Part Number	Description	Qty
Figure 8-2 STEERING COLUMN & WHEEL ASSEMBLIES, PLUS ASSOCIATED PARTS, FORWARD & REARWARD STEERING			
1	707013	Column Asm. - Forward Steering	1
	705913	Column Asm. - Rearward Steering	1
2	704128	Grommet	1
3	704129	Bushing	1
4	626847	Retainer	2
5	705308	Switch Asm. - Neutral Safety	1
6	626846	Screw (#8-18 X .270 Hex Wa. Hd.)	2
7	706350	Lever - Gear Selector	1
8	706351	Knob - Gear Selector Lever	1
9	704659	Pin - G/S Lever (7/32 X 15/16)	1
10	706138	Knob - Hazard Warning	1
11	11503505	Screw (M3.5 X 1.27 X 22 OHCR)	1
12	703643	Lever Asm	1
13	9427238	Screw (#8-32 X 3/4 PHCR)	1
14	706799	Cover - Shaft Lock	1
15	626934	Ring - Retaining	1
16	707005	Wheel Asm	1
17	703824	Contact Asm. - Horn	1
18	707006	Pad Asm	1
19	626894	Nut - Tinn	2
20	161869	Screw (#8 X 5/8 PHCR)	2
21	706343	Dial - Gear Selector	1
22	704663	Spring - G/S Dial Retainer	2
23	704662	Bracket - G/S Bezel	1
24	704665	Bezel - Gear Selector	1
25	704692	Cap - G/S Dial Lamp	1
26	9416927	Bulb - G/S Dial Lamp (#1893)	1
27	11503521	Nut (M14 X 1.5 Hex Jam) (Furnished On Column)	1

GROUP 8 - STEERING COLUMN AND WHEEL ASSEMBLIES 8-6



A	A	A	A
11	11	12	12
	E		E

Figure 8-3 Steering Column Installation, Forward Steering



A	A	A	A
11	11	12	12
	E		E

Figure 8-4 Steering Column Installation, Rearward Steering

GROUP 8 - STEERING COLUMN AND WHEEL ASSEMBLIES 8-7

Item	Part Number	Description	Qty
Figure 8-3 STEERING COLUMN INSTALLATION, FORWARD STEERING			
1	707013	Column Asm. - Steering	1
2	705255	Bracket Asm. - Strg. Col. Supt	1
3	11502764	Bolt (M8 X 1.25 X 12 Flanged Hex)	4
4	138485	LW (5/16 Ext. Tooth)	4
5	181643	Bolt (3/8-24 X 1 1/2)	2
6	274643	Nut (3/8-24 Ser. Hex Lock)	2
7	446363	Washer (3/8 ID X 7/8 CD)	2
8	646600	Shroud	1
9	163158	Screw (#8 X 3/8 PHCR)	2
10	653296	Plate & Gasket Asm	1
11	653297	Clamp & Gasket Asm	1
12	274473	Screw (1/4-20 X 5/8)	2
13	271172	Nut & Ext. Tooth LW Asm. (1/4-20 Hex)	2
14	626611	Screw (#8 X 1/2 PHCR)	4
15	707012	Shaft Asm. - Strg. Col. Inter	1
16	708136	Bolt - Pinch	1
17	708137	Bolt - Clamp	1
18	11500424	Nut (M10 X 1.5 Thd.)	1
Figure 8-4 STEERING COLUMN INSTALLATION, REARWARD STEERING			
1	705913	Column Asm. - Steering	1
2	705255	Bracket Asm. - Strg. Col. Supt	1
3	181643	Bolt (3/8-24 X 1 1/2 Hex)	2
4	446363	Washer (3/8 ID X 7/8 CD)	2
5	274643	Nut (3/8-24 Ser. Hex)	2
6	11502764	Bolt (M8 X 1.25 X 12 Flanged Hex)	4
7	138485	LW (5/16 Ext. Tooth)	4
8	646600	Shroud	1
9	163158	Screw (#8 X 3/8 PHCR)	2
10	653296	Plate & Gasket Asm	1
11	653297	Clamp & Gasket Asm	1
12	274473	Screw (1/4-20 X 5/8)	2
13	271172	Nut & Ext. Tooth LW Asm. (1/4-20 Hex)	2
14	626611	Screw (#8 X 1/2 PHCR)	4