

Group 2

SUSPENSION - FRONT

Contents

| Title | Section Page | |
|---|---------------------|-----|
| Stabilizer Bar | 2-1 | 2-2 |
| Upper Control Arm and Steering Knuckle | 2-2 | 2-2 |
| Shock Absorber, Coil Spring and Lower Control Arm | 2-3 | 2-4 |

GROUP 2 - SUSPENSION - FRONT 2-2

| | | | |
|---------|--------------|---------|--------------|
| A 11 | A 11 E | A 12 | A 12 E |
|---------|--------------|---------|--------------|

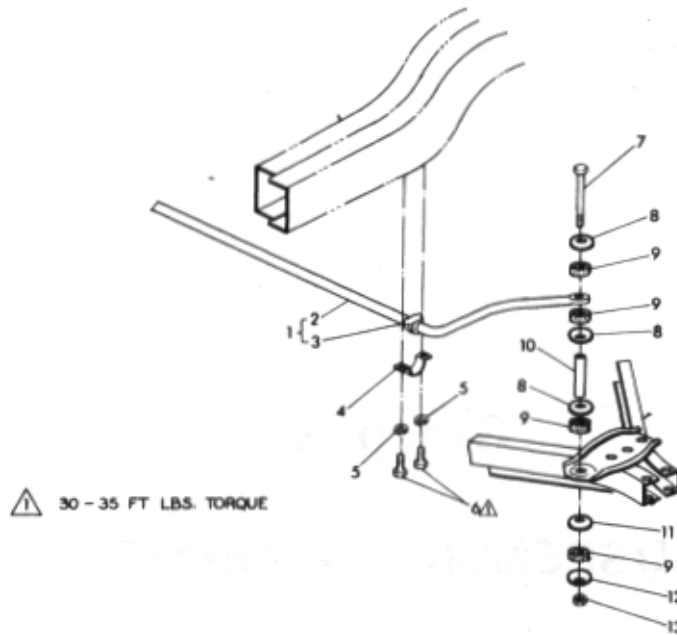


Figure 2-1 Stabilizer Bar

| | | | |
|---------|--------------|---------|--------------|
| A 11 | A 11 E | A 12 | A 12 E |
|---------|--------------|---------|--------------|

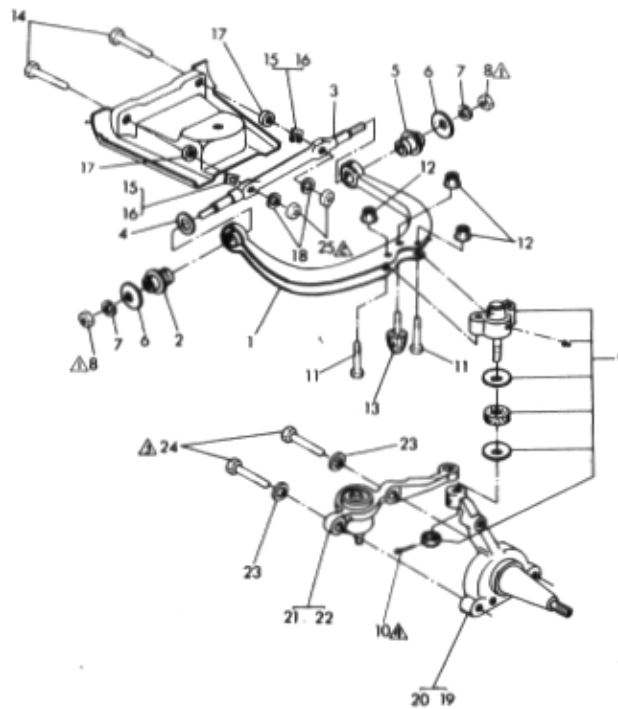


Figure 2-2 Upper Control Arm and Steering Knuckle

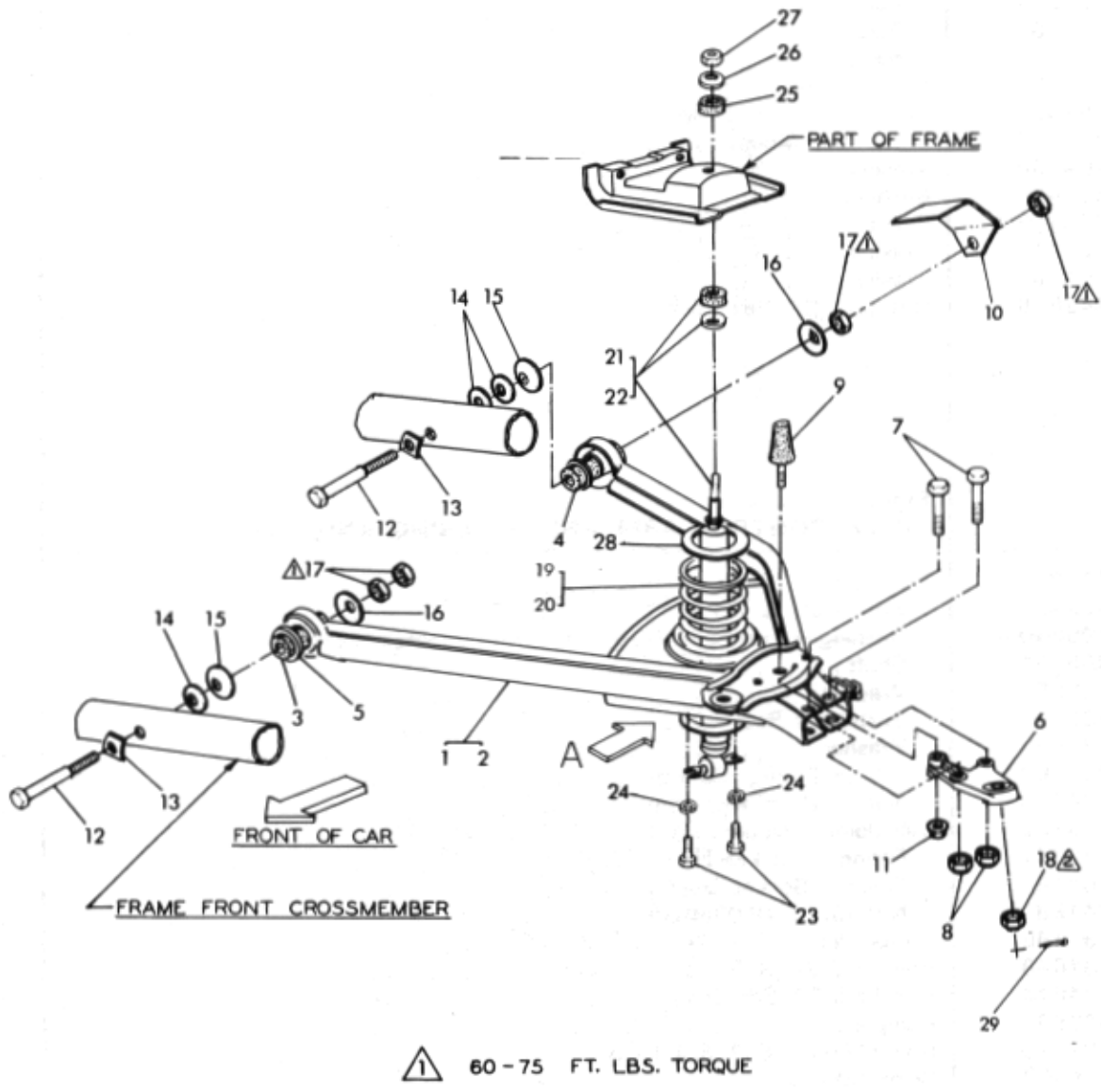
GROUP 2 - SUSPENSION - FRONT 2-3

| Item | Part Number | Description | Qty |
|--|-------------|-------------------------------|-----|
| Figure 2-1 STABILIZER BAR | | | |
| 1 | 701013 | Bar Asm. Stabilizer | 1 |
| 2 | 702021 | Bar Stabilizer | 1 |
| 3 | 94446 | Bushing | 2 |
| 4 | 92475 | Bracket | 2 |
| 5 | 120382 | LW (3/8 Med. Spring) | 4 |
| 6 | 181637 | Bolt (3/8-24 X 1 Hex) | 4 |
| 7 | 708210 | Bolt Bar Mounting | 2 |
| 8 | 704180 | Washer | 6 |
| 9 | 92145 | Bushing | 8 |
| 10 | 708209 | Spacer | 2 |
| 11 | 704181 | Washer | 2 |
| 12 | 704182 | Washer | 2 |
| 13 | 442828 | Nut (3/8-24 Hex Lock) | 2 |
| Figure 2-2 UPPER CONTROL ARM AND STEERING KNUCKLE | | | |
| 1 | 92434 | Arm Asm. Upper Control | 2 |
| | 92282 | Arm LH & RH | 2 |
| 2 | 705280 | Bushing Front | 2 |
| 3 | 706353 | Shaft | 2 |
| 4 | 92265 | Washer | 2 |
| 5 | 705281 | Bushing Rear | 2 |
| 6 | 92263 | Washer | 4 |
| 7 | 9429691 | LW (5/8 Reg. Spring) | 4 |
| 8 | 124944 | Nut (5/8-16 Hex Jam) | 4 |
| 9 | 703362 | Ball Joint Upper | 2 |
| | 110347 | Fitting Socket Lube | 2 |
| | 05215 | Cover Socket Dust | 2 |
| | 64168 | Nut (9/16-18 Slotted) | 2 |
| 10 | 137185 | Cotter Pin (1/8 X 1) | 2 |
| 11 | 181648 | Bolt (3/8-24 X 2 Hex) | 4 |
| 12 | 274643 | Nut (3/8-24 Ser. Hex) | 6 |
| 13 | 92289 | Bumper | 2 |
| 14 | 181710 | Bolt (1/2-20 X 2 3/4 Hex) | 4 |
| 15 | 706403 | Shim (.03) (Pairs Only) | 8 |
| 16 | 706404 | Shim (.12) (Pairs Only) | 4 |
| 17 | 706237 | Spacer | 4 |
| 18 | 131101 | LW (1/2 Heavy Spring) | 4 |
| 19 | 704831 | Knuckle Strg. I/W 706492 (in | 2 |
| 20 | 706492 | Knuckle Strg. I/W 704831 (in | 2 |
| 21 | 703757 | Arm & Joint LH | 1 |
| 22 | 703758 | Arm & Joint RH | 1 |
| | 704423 | Arm LH | 1 |
| | 704424 | Arm RH | 1 |
| | 703735 | Ball Joint Lower | 2 |
| | 567548 | Fitting Lube | 2 |
| 23 | 131016 | Washer (21/32 ID X 1 5/16 OD) | 4 |
| 24 | 626817 | Bolt (5/8-18 X 2 1/4 Hex) | 4 |
| 25 | 120371 | Nut (1/2-20 Hex) | 4 |

GROUP 2 - SUSPENSION - FRONT 2-4

| | | | |
|----|----|----|----|
| A | A | A | A |
| 11 | 11 | 12 | 12 |
| | E | | E |

Figure 2-3 Shock Absorber, Coil Spring and Lower Control Arm



GROUP 2 - SUSPENSION - FRONT 2-5

| Item | Part Number | Description | Qty |
|---|-------------|---|-----|
| Figure 2-3 | | | |
| SHOCK ABSORBER, COIL SPRING AND LOWER CONTROL ARM | | | |
| 1 | 705473 | Arm & Bushing - Lower Cont. LH | 1 |
| 2 | 705474 | Arm & Bushing - Lower Cont. RH | 1 |
| 3 | 705282 | Bushing - Front | 2 |
| 4 | 705283 | Bushing - Rear | 2 |
| 5 | 92513 | Spacer | 2 |
| | 702413 | Stop - Steering | 4 |
| 6 | 704425 | Bracket - Ball Joint | 2 |
| 7 | 181705 | Bolt (1/2-20 X 2 Hex) | 4 |
| 8 | 626852 | Nut (1/2-20 Hex Crown Lock) | 4 |
| 9 | 705698 | Bumper | 2 |
| 10 | 706795 | Shield | 2 |
| 11 | 274643 | Nut (3/8-24 Ser. Hex) | 2 |
| 12 | 92261 | Bolt | 4 |
| 13 | 93355 | Washer | 4 |
| 14 | 92273 | Shim | A/R |
| 15 | 92264 | Washer | 4 |
| 16 | 92263 | Washer | 4 |
| 17 | 124944 | Nut (5/8-16 Hex Jam) | 8 |
| 18 | 125267 | Nut (5/8-18 Hex Slotted) | 2 |
| 19 | 706706 | Spring (8 Cylinder) | 2 |
| 20 | 706694 | Spring (6 Cylinder) | 2 |
| 21 | 705268 | Shock Absorber (Standard) | 2 |
| 22 | 705395 | Shock Absorber (Hvy. Du.) | 2 |
| | 706089 | Insulator | 2 |
| | 706092 | Washer | 2 |
| 23 | 181608 | Bolt (5/16-24 X 1 Hex) | 4 |
| 24 | 120214 | LW (5/16 Med. Spring) | 4 |
| 25 | 706089 | Insulator | 2 |
| 26 | 94408 | Washer | 2 |
| 27 | 120369 | Nut (3/8-24 Hex Lock) | 2 |
| 28 | 92293 | Insulator - Frt. Coil Spring (6 & 8 Cyl. W/O Frt. Coil Stab.) | 1 |
| 29 | 137185 | Cotter Pin (1/8 X 1) | 2 |
| | 708021 | Spacer - Front Spring (8 Cylinder Only) | 2 |
| | | * Note: Use W/6 Cyl. W/Air Conditioning. | |