

GROUP 10 - ENGINE 10-1

Group 10

ENGINE

Contents

Title	Section	Page
Engine Mounting - Front - 6 Cylinder	10-1	10-2
Engine Mounting - Front - 8 Cylinder	10-2	10-2
Engine Mounting - Rear, 6 & 8 Cylinder	10-3	10-4
Engine Assembly - 6 Cylinder 250 CID, Cylinder Head, Manifold & Related Parts	10-4	10-6
Engine Assembly - 6 Cylinder 250 CID, Engine Block & Related Parts	10-5	10-10
Engine Assembly - 8 Cylinder, Cylinder Head, Manifold & Related Parts	10-6	10-14
Engine Assembly - 8 Cylinder, Crankshaft, Camshaft, Oil Pan & Related Parts	10-7	10-16
Engine Assembly - 8 Cylinder, Engine Block & Related Parts	10-8	10-18

GROUP 10 - ENGINE 10-2

A		A	
11		12	

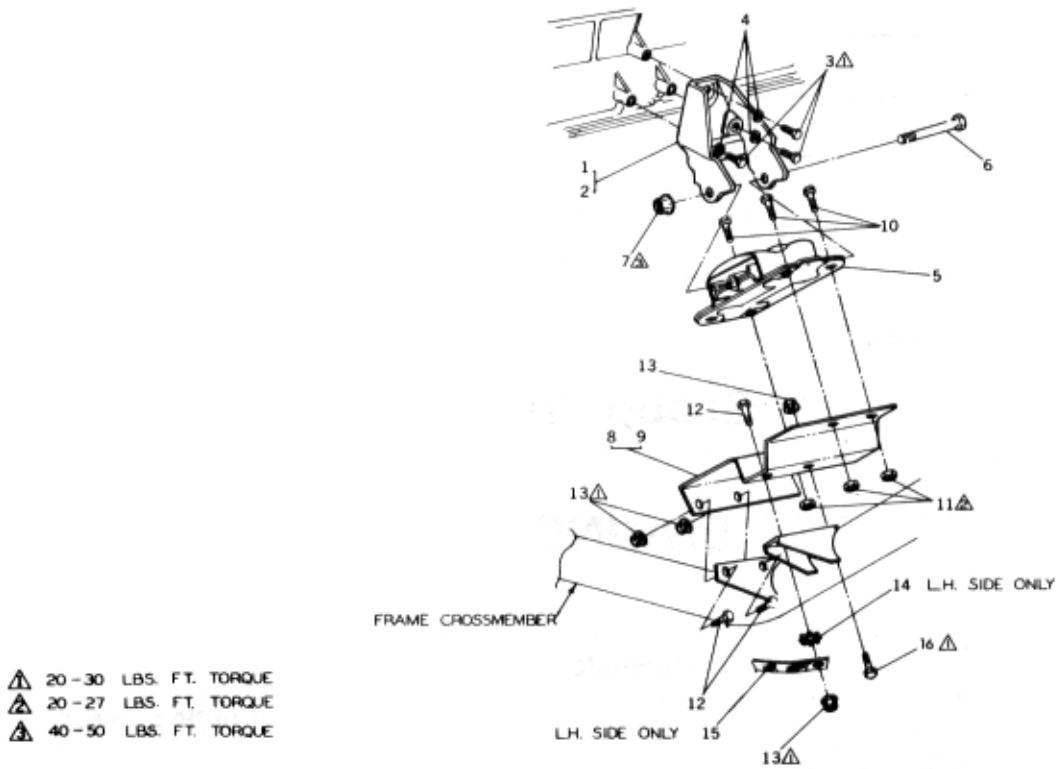


Figure 10-1 Engine Mounting - Front 6 Cylinder

A	A	A	A
11	11	12	12
	E		E

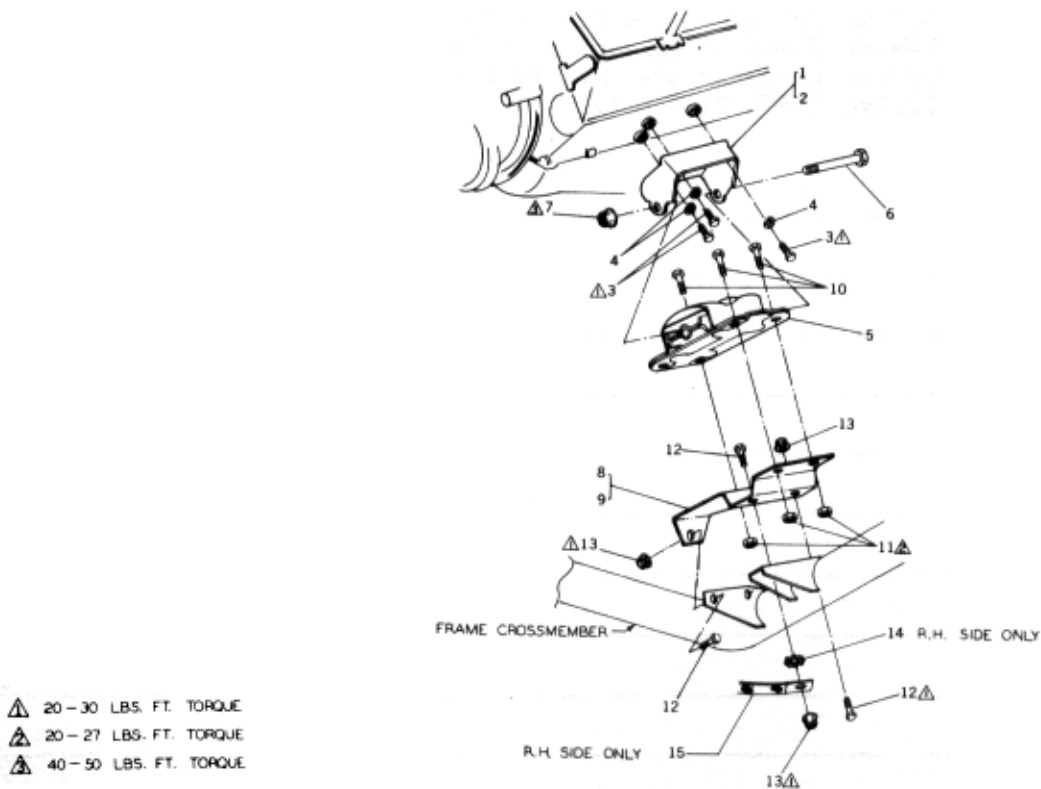


Figure 10-2 Engine Mounting - Front 8 Cylinder

GROUP 10 - ENGINE 10-3

Item	Part Number	Description	Qty
Figure 10-1 ENGINE MOUNTING - FRONT - 6 CYLINDER			
1	706241	Bracket - Eng. Mt. LH	1
2	706242	Bracket - Eng. Mt. RH	1
3	180120	Bolt (3/8-16 X 3/4 Hex)	6
4	120382	LW (3/8 Med. Spring)	6
5	707007	Mounting Asm. - Eng. Frt	2
6	706101	Bolt (7/16-14 X 5 Hex Flanged)	2
7	706102	Nut (7/16-14 Hex Flanged)	2
8	708105	Adapter - Eng. Mt. LH	1
9	708106	Adapter - Eng. Mt. RH	1
10	706099	Bolt (3/8-16 X 1 Hex)	6
11	706100	Nut (3/8-16 Hex Flanged)	6
12	181637	Bolt (3/8-24 X 1 Hex)	6
13	274643	Nut (3/8-24 Ser. Hex)	8
14	178551	LW (3/8 Int. Ext. Tooth)	1
15	706295	Ground Strap	1
16	181635	Bolt (3/8-24 X 3/4 Hex)	2
Figure 10-2 ENGINE MOUNTING - FRONT - 8 CYLINDER			
1	706245	Bracket - Eng. Mt. LH	1
2	706243	Bracket - Eng. Mt. RH	1
3	180120	Bolt (3/8-16 X 3/4)	6
4	120382	LW (3/8 Med. Spring)	6
5	707007	Mounting Asm. - Eng. Frt	2
6	706101	Bolt (7/16-14 X 5 Hex Flanged)	2
7	706102	Nut (7/16-14 Hex Flanged)	2
8	708103	Adapter - Eng. Mt. LH	1
9	708104	Adapter - Eng. Mt. RH	1
10	706099	Bolt (3/8-16 X 1 Hex)	6
11	706100	Nut (3/8-16 Hex Flanged)	6
12	181637	Bolt (3/8-24 X 1 Hex)	6
13	274643	Nut (3/8-24 Hex Ser.)	6
14	178551	LW (3/8 Int. Ext. Tooth)	1
15	706295	Ground Strap	1

GROUP 10 - ENGINE 10-4

A	A	A	A
11	11	12	12
E	E	E	E

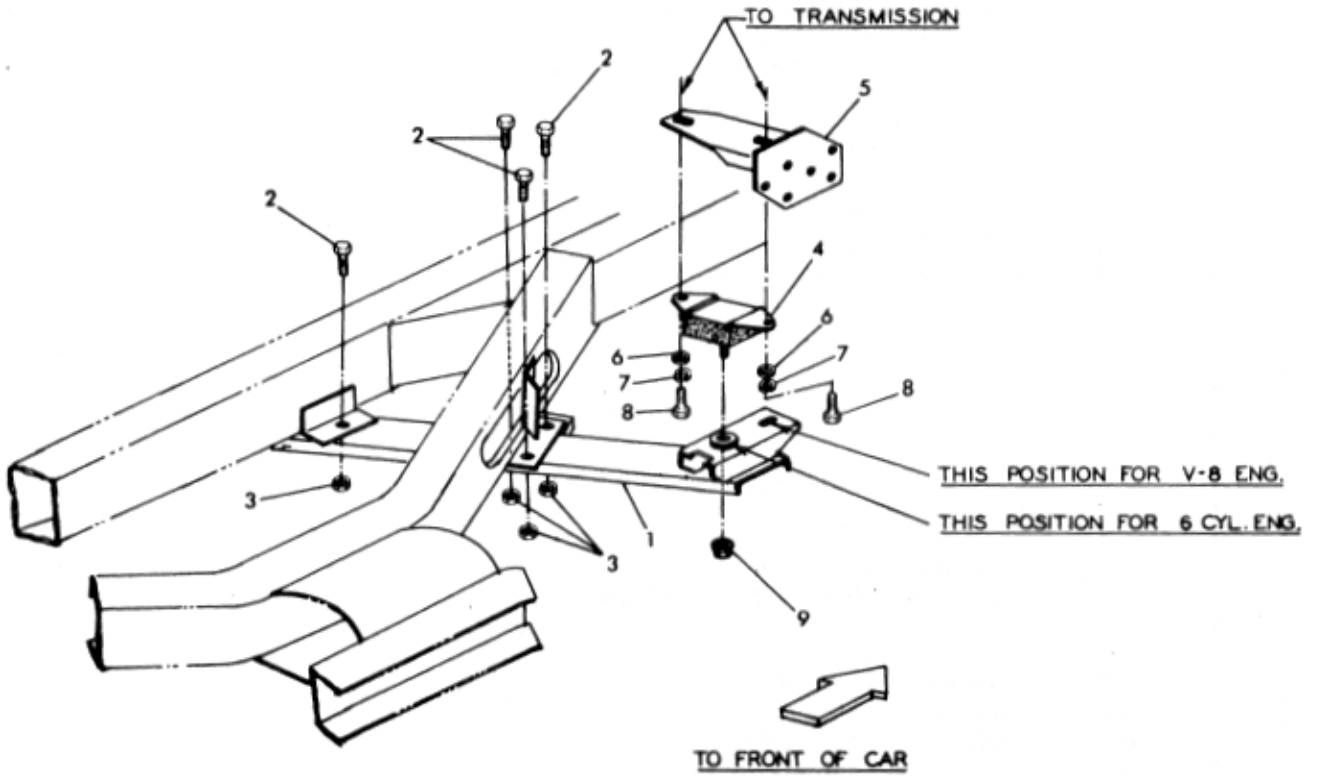


Figure 10-3 Engine Mounting -Rear, 6 & 8 Cylinder

Checker Motors Corp.

GROUP 10 - ENGINE 10-5

Item	Part Number	Description	Qty
Figure 10-3 ENGINE MOUNTING - REAR, 6 & 8 CYLINDER			
1	705981	Bar Asm. - Rear Eng. Support	1
2	181637	Bolt (3/8-24 X 1 Hex)	4
3	442828	Nut (3/8-24 Hex Lock)	4
4	705909	Mounting Asm. - Trans. Support	1
5	705503	Bracket Asm. - Exh. Converter	1
6	120389	Washer (1/2 ID X 1 1/4 OD X .083 Th. Flat)	2
7	120383	LW (7/16 Med. Spring)	2
8	180147	Bolt (7/16-14 X 1 1/4 Hex)	2
9	11501850	Nut - Metric (2 Flg. Hex) (M10 X 1.5)	1

GROUP 10 - ENGINE 10-6

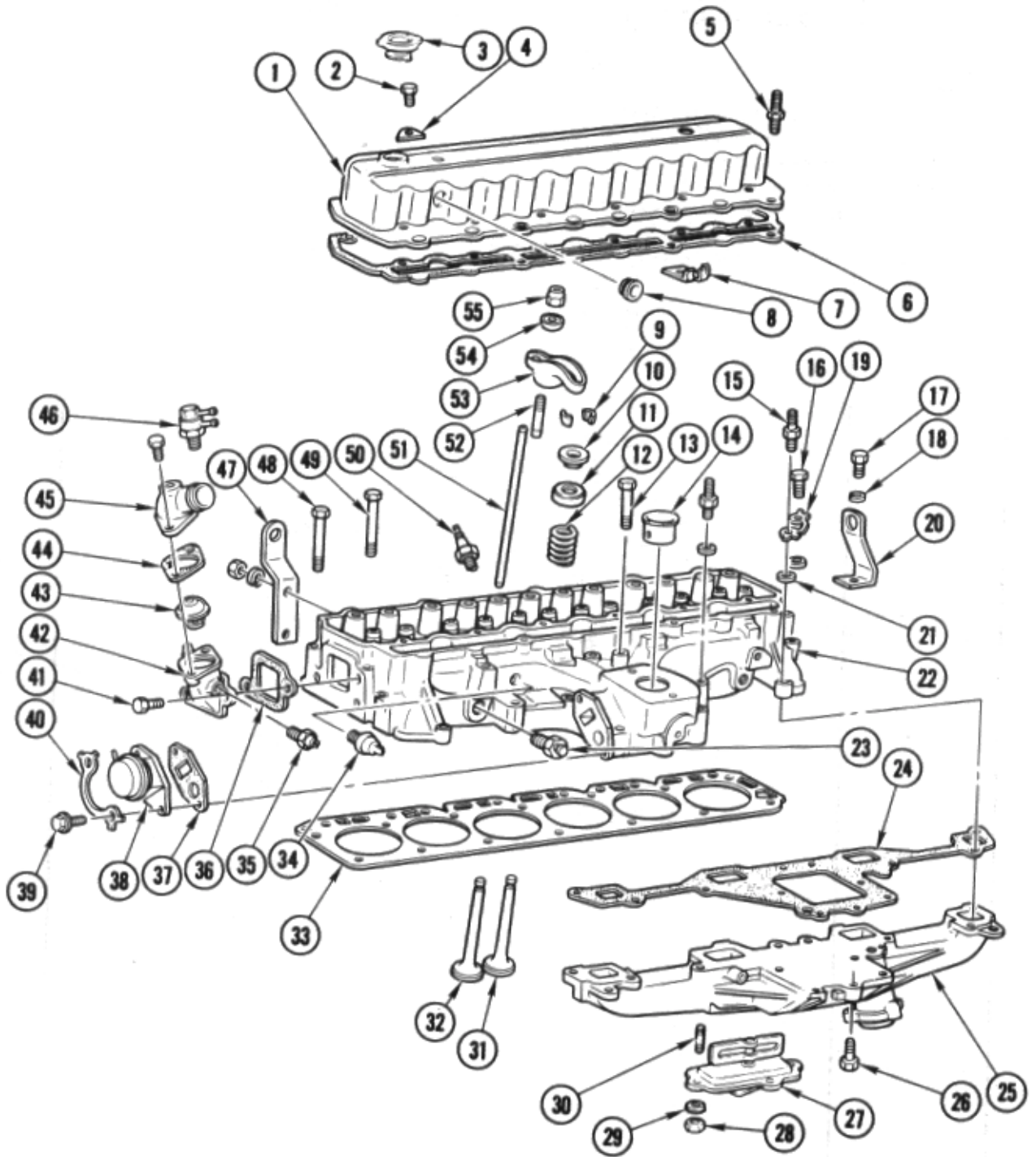


Figure 10-4 Engine Assembly .6 Cylinder 250 CID, Cylinder Head, Manifold & Related Parts

Checker Motors Corp.

GROUP 10 - ENGINE 10-7

Item	Part Number	Description	Qty
Figure 10-4 ENGINE ASSEMBLY - 6 CYLINDER 250 CID. CYLINDER HEAD, MANIFOLD & RELATED PARTS			
	705932	Engine Asm. - 6 Cyl. Federal Without Air Conditioning	1
	707046	Engine Asm. - 6 Cyl. Federal With Air Conditioning	1
	707000	Engine Asm. - 6 Cyl. California With or Without Air Conditioning	1
1	09516	Cover - Valve Rocker Arm. - Fed	1
	09555	Cover - Valve Rocker Arm. - Calif	1
2	NSS	Bolt - Valve Rocker Arm Cover (Use 09517)	1
3	08037	Cap - Oil Filler	1
4	NSS	Reinforcement - Valve Rocker Arm Cover Bolt (Use 09517)	1
	09517	Bolt & Reinforcement - Valve Rocker Arm Cover	11
5	706850	Stud - Exh. Manifold to Pipe	3
6	09518	Sealer	AR
7	06935	Stud & Nut - Thermostat Hsg - RH	1
8	708029	Grommet - Crankcase Vent	2
9	09305	Key - Valve Spring Cap	24
10	08108	Cap - Valve Spring Intake Valve	6
	08336	Rotator - Exhaust Valve	6
11	08015	Shield - Valve Stem Oil	12
12	08107	Spring & Damper Asm. - Valve	12
	08014	Seal - Valve Stem Oil	12
13	9430725	Bolt - Cyl. Hd. to Exh. Manifold (3/8-16 X 4 1/4 Top Inboard Center Holes)	2
14	09543	Tube - Throttle Bore	1
15	09462	Stud & Nut - Inlet to Exh. Manif. Federal Engine	3
	09462	Stud & Nut - Inlet to Exh. Manif. California Engine	4
16	08091	Bolt - Cyl. Hd. to Exh. Manif. Federal Engine	8
	08091	Bolt - Cyl. Hd. to Exh. Manif. California Engine	7
19	09461	Lock - Intake to Exhaust Manifold End Bolts	2
21	09459	Washer - Intake to Exh. Manif. Mt. Bolts (25/64 X 3/4 X 1/32)	6
22	09512	Head Asm. - Cyl. - W/Fed. Eng	1
	09445	Head Asm. - Cyl. - W/Calif. Eng	1
	09515	Connector - Crankcase Vent Hose With Federal Engine	1
	09454	Connector - Crankcase Vent Hose With California Engine	1
	444782	Plug - Intake Manifold Vacuum Side Hole	1
	09254	Plug - Cyl. Hd. Water Jacket	3
	09298	Stud - Carb. Mt. (3/8")	1
	9424984	Nut - Carb. Mt. (3/8-24 Lock)	1
23	05904	Switch - Water Temp	1
24	09460	Gasket - Exh. to Intake Manif	1
25	09457	Manifold Asm. - Exh. - Federal	1
	09553	Manifold Asm. - Exh. California	1

GROUP 10 - ENGINE 10-8

A		A	
11		12	

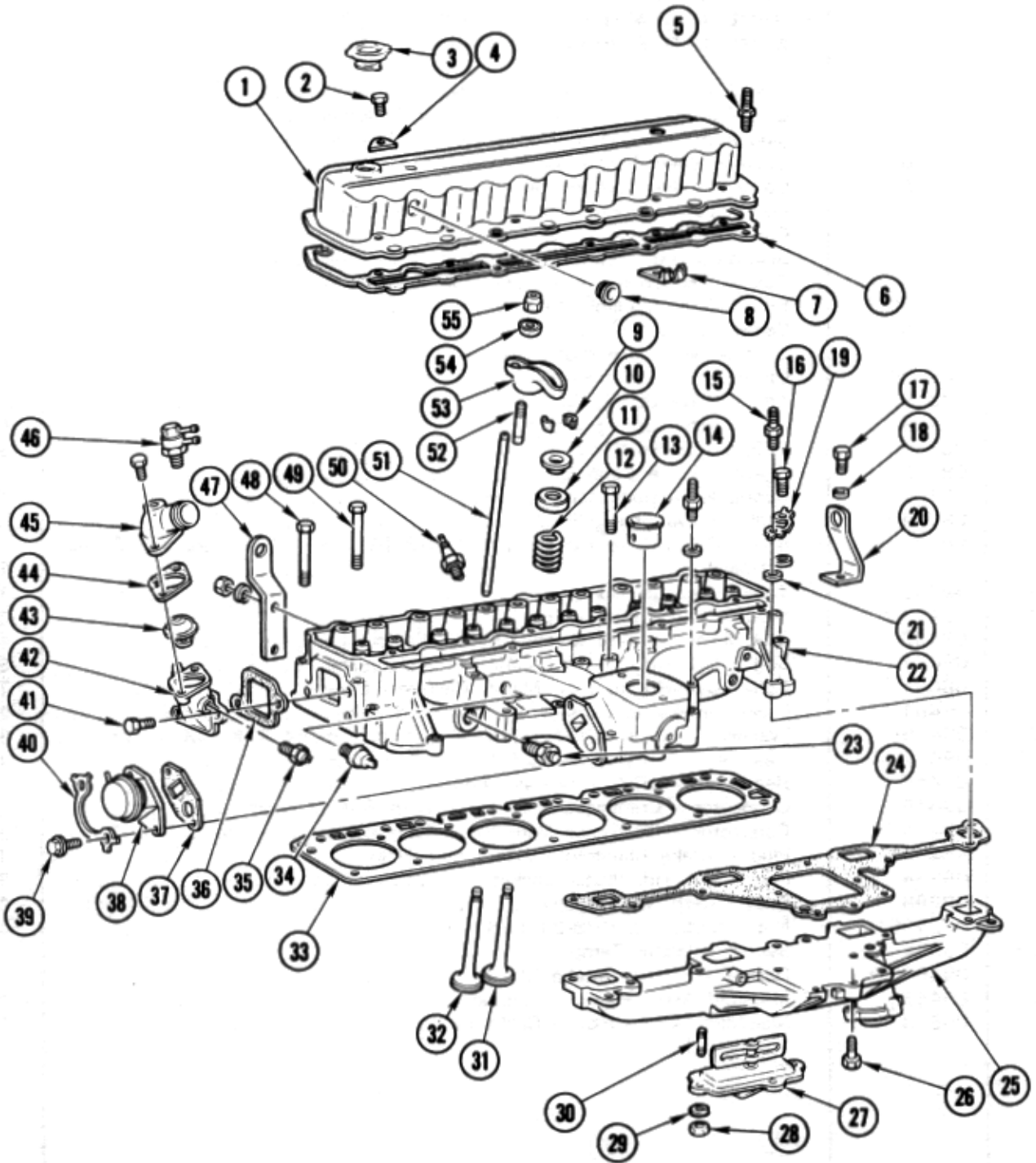


Figure 10-4 Engine Assembly .6 Cylinder 250 CID, Cylinder Head, Manifold & Related Parts

GROUP 10 - ENGINE 10-9

Item	Part Number	Description	Qty
Figure 10-4 ENGINE ASSEMBLY - 6 CYLINDER 250 CID, CYLINDER HEAD. MANIFOLD & RELATED PARTS Cont'd)			
26	180132	Bolt - Exh. Manif. to Intake Manif. (3/8-16 X 2 1/4 Bottom Outboard Center Hole)	1
27	09477	Valve Asm. - Exh. Manif. Heat	1
28	120368	Nut - Heat Valve Mt. Stud (5/16-24 Lock)	4
30	1364760	Stud - Exhaust Heat Valve Mounting - Federal	4
	09554	Stud - Exhaust Heat Valve Mounting - California	4
31	08009	Valve - Exhaust Std	6
	08285	Valve - Exhaust (.003 OS)	AIR
	08286	Valve - Exhaust (.015 OS)	AIR
	08287	Valve - Exhaust (.030 OS)	A/R
32	08335	Valve - Intake Std	6
	08291	Valve - Intake (.003 OS)	A/R
	08292	Valve - Intake (.015 OS)	A/R
	08293	Valve - Intake (.030 OS)	A/R
33	09447	Gasket - Cylinder Head	1
35	705123	Switch - Water Temp	1
36	08049	Gasket - Thermostat Hsg	1
37	09467	Gasket - EGR Valve	1
38	705865	Valve - EGR - Federal	1
	707033	Valve - EGR - California	1
39	120638	Screw & LW (5/16-18 X 7/8)	2
41	454905	Bolt - Water Outlet & Thermo. Housing (3/8-16 X 1)	3
42	09456	Housing - Thermostat	1
43	09488	Thermostat (195°)	1
44	08051	Gasket - Water Outlet	1
45	09547	Outlet	1
46	705650	Switch - EGR Vacuum	1
48	08016	Bolt - Cylinder Head (1/2-13 X 3.57)	9
49	09446	Bolt - Cylinder Head (1/2-13 X 4 3/8)	5
50	05142	Spark Plug (AC-R46TS)	6
51	08073	Push Rod	12
52	08109	Stud - Rocker Arm (.003 OS)	A/R
	08110	Stud - Rocker Arm (.013 OS)	A/R
	09478	Kit - Rocker Arm	1
53	NSS	Arm - Valve Rocker	12
54	NSS	Ball - Rocker Arm	12
55	NSS	Nut - Rocker Arm Adj	12

GROUP 10 - ENGINE 10-10

A		A	
11		12	

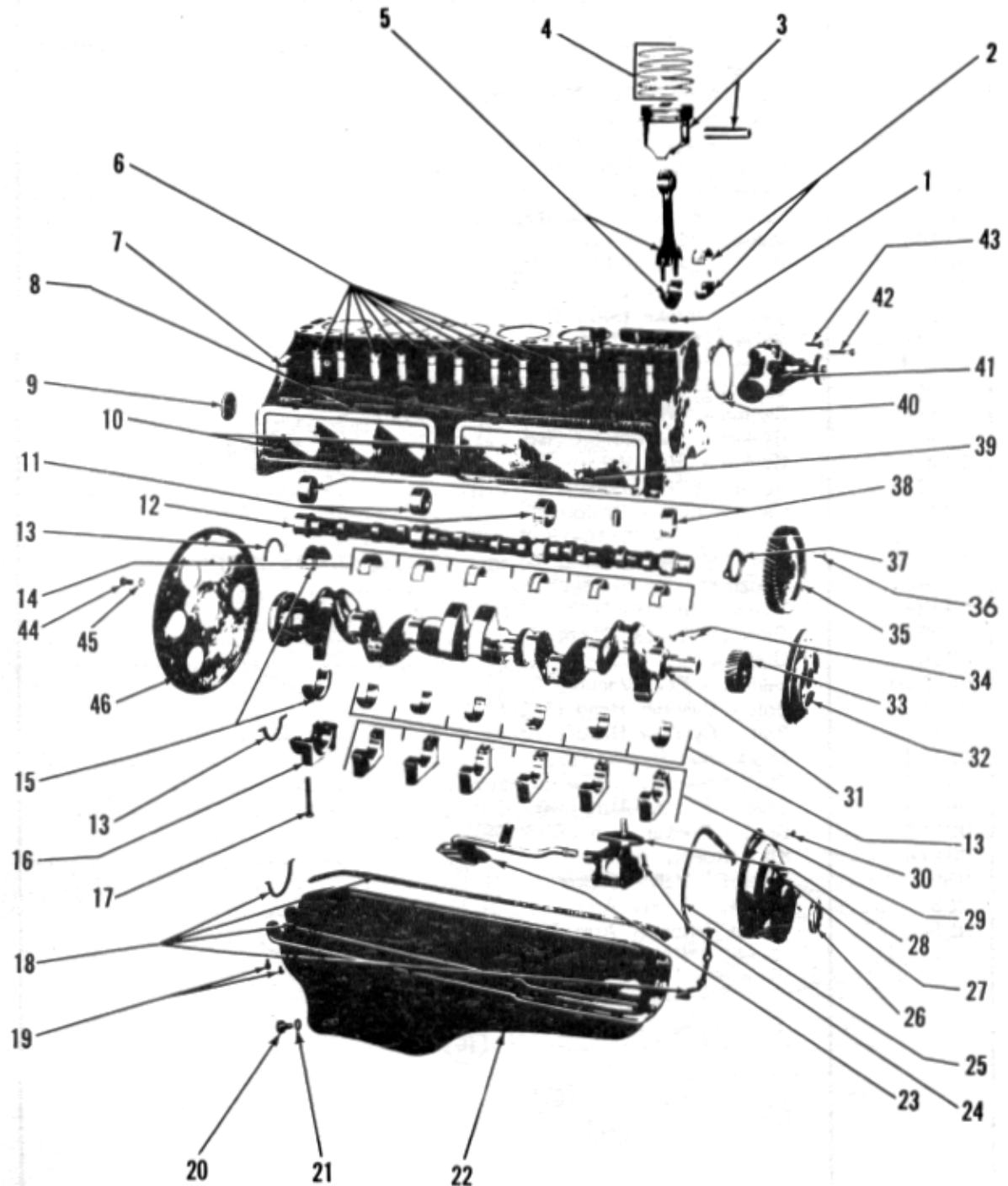


Figure 10-5 Engine Assembly .6 Cylinder 250 CID, Engine Block & Related Parts

Checker Motors Corp.

GROUP 10 - ENGINE 10-11

Item	Part Number	Description	Qty
Figure 10-5 ENGINE ASSEMBLY - 6 CYLINDER 250 CID, ENGINE BLOCK & RELATED PARTS			
1	08191	Nut - Conn. Rod Brg. Cap Bolt	12
2	09448	Bearing - Connecting Rod Standard (Pair)	6
	09449	Bearing - Connecting Rod (.001 US Pair)	A/R
	09545	Bearing - Connecting Rod (.002 US Pair)	A/R
3	09172	Piston & Pin Asm. - Std.*	6
	09173	Piston & Pin Asm. (.001 OS)	A/R
	09175	Piston & Pin Asm. (.030 OS)	A/R
4	08024	Ring Set - Piston - Std.'	6
	08026	Ring Set (.030 OS)	A/R
5	09486	Rod Asm. - Connecting	6
	09514	Bolt - Conn. Rod Brg. Cap	12
6	08088	Lifter - Hydraulic Valve	12
7	09511	Fitted Block Asm (Consists of * Parts)	1
	08161	Valve Asm. - Oil Filter By-Pass*	1
	08229	Pin - Cyl. Head Dowel*	2
	444577	Plug - Block Water Drain Hole*	1
	08380	Plug - Water Jacket Side*	3
	08270	Plug - Water Jacket Rear*	1
	08497	Plug - Cyl. & Case Main Frt. Oil*	1
	444782	Plug - Cyl. & Case Main Rear Oil*	1
	08155	Pin - Trans. Line Up*	2
8	09518	Sealant - RN	1
9	09348	Plug - Camshaft Rear Bearing*	1
10	09548	Cover - Push Rod	2
11	08219	Bearing - Camshaft #2 & 3*	2
12	09347	Camshaft Asm	1
13	09542	Seal - Crankshaft Rear Oil*	1
14	09440	Bearing - Crankshaft (Except Rear) Std. (Pair)*	6
	09441	Bearing - Crankshaft (Except Rear) (.001 US Pair)	A/R
	09442	Bearing - Crankshaft (Except Rear) (.002 US Pair)	A/R
	09443	Bearing - Crankshaft (Except Rear) (.010 US Pair)	A/R
	09444	Bearing - Crankshaft (Except Rear) (.020 US Pair)	A/R
	09480	Bearing - Crankshaft (Except Rear) (.030 US Pair)	A/R
15	09281	Bearing - Crankshaft (Rear) Std. (Pair)*	1
	09282	Bearing - Crankshaft (Rear) (.001 US Pair)	A/R
	09283	Bearing - Crankshaft (Rear) (.002 US Pair)	A/R
	09284	Bearing - Crankshaft (Rear) (.010 US Pair)	A/R
	09285	Bearing - Crankshaft (Rear) (.020 US Pair)	A/R
	09485	Bearing - Crankshaft (Rear) (.030 US Pair)	A/R
16	08228	Cap - Crankshaft Rear Bearing*	1
17	08378	Bolt - Crankshaft Bearing Cap*	1
	08215	Stud - #6 Brg. Cap - RH Side	1
18	08040	Gasket Kit - Oil Pan	1
	08248	Seal - Oil Pan - Front	1
	08249	Seal - Oil Pan - Rear	1
19	08035	Screw & Lockwasher - Oil Pan	18
	08036	Screw & Lockwasher - Oil Pan	4
	08241	Screw & Lockwasher - Oil Pan to Crankcase Front Cover	2

Checker Motors Corp.

GROUP 10 - ENGINE 10-12

A		A	
11		12	

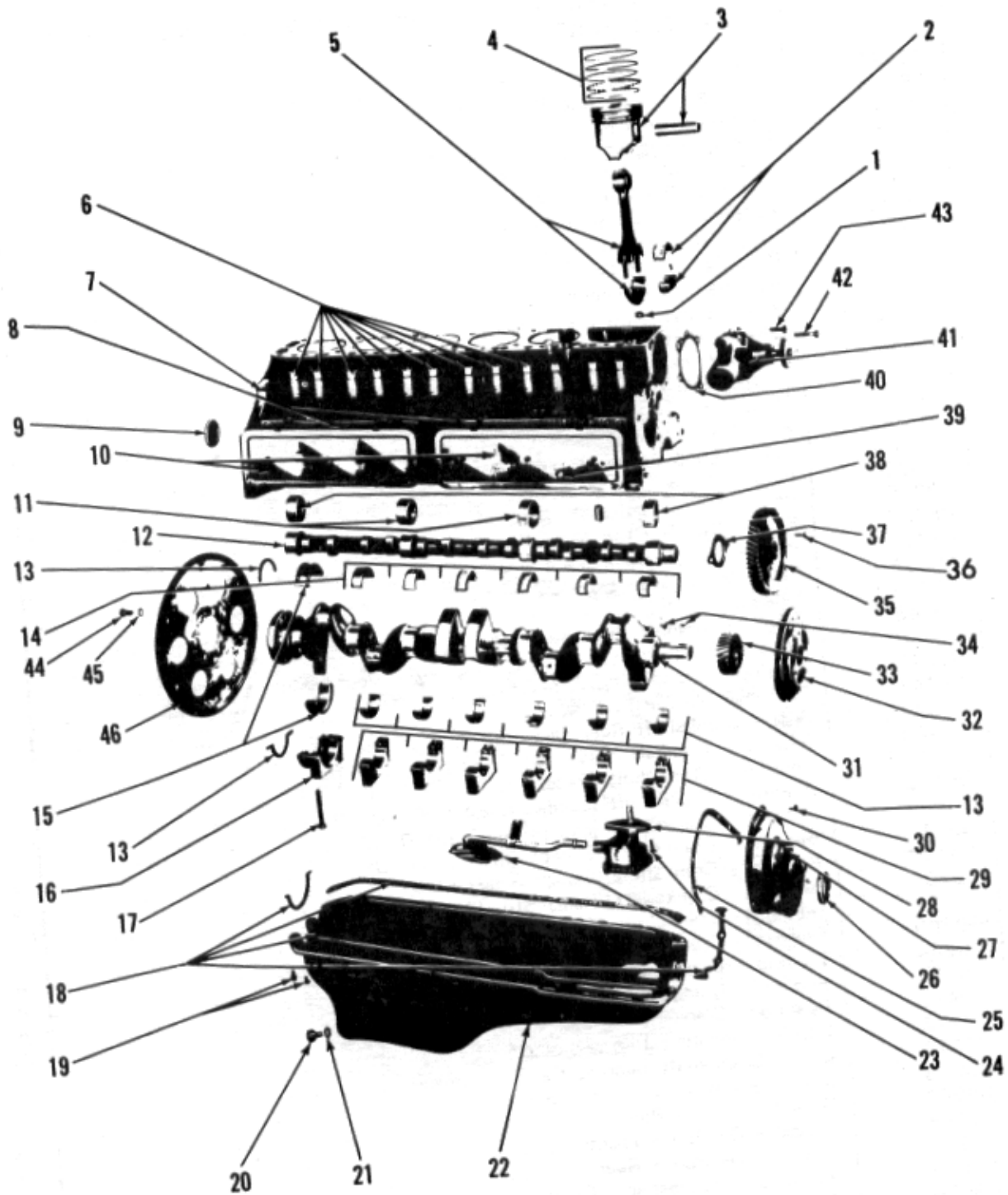


Figure 10-5 Engine Assembly - 6 Cylinder 250 CID, Engine Block & Related Parts

GROUP 10 - ENGINE 10-13

Item	Part Number	Description	Qty
Figure 10-5 ENGINE ASSEMBLY - 6 CYLINDER 250 CID, ENGINE BLOCK & RELATED PARTS (Cont'd)			
20	09107	Screw - Oil Pan Drain	1
21	09180	Gasket Oil Pan Drain Screw	1
22	09293	Pan Asm. - Oil	1
23	08206	Pipe, Support & Screen Asm. - Oil	1
	09452	Support - Oil Pipe & Screen	1
24	180077	Bolt - Oil Pump & Screen	2
	180016	Bolt - Oil Pump Suction Pipe & Screen Support	1
	08266	Nut Oil Pump & Screen to RH Stud - #6 Crankshaft Brg. Cap	1
25	08044	Gasket - Crankcase Front Cover	1
26	08183	Seal - Crankshaft Front Oil	1
27	09508	Cover - Crankcase Front	1
28	08041	Pump Asm. - Oil	1
	08193	Spring - Pressure Reg. Valve	1
	08198	Valve - Pressure Regulator	1
	103677	Pin - Pressure Reg. Valve Ret	1
	09259	Plug - Pressure Reg. Hole	1
	08251	Cover - Oil Pump	1
	08253	Gasket - Oil Pump Cover	1
	133043	Screw & LW - Oil Pump Cover	4
	08218	Bearing - Oil Pump Shaft Pilot (in Block)	1
29	09366	Cap - Crankshaft Bearing'	6
30	08035	Screw & LW - Frt. Cover Mt	8
31	09513	Crankshaft Asm	1
32	09510	Damper - Torsional - Federal	1
	09552	Damper - Torsional - California	1
	106751	Key - Woodruff (Damper)	1
33	09464	Gear - Crankshaft Timing	1
34	106751	Key - Crankshaft Timing Gear	1
35	09489	Gear - Camshaft Timing	1
	106751	Key - Camshaft Timing Gear	1
36	08035	Screw & Lockwasher Camshaft Thrust Bearing	2
	08195	Nozzle - Timing Gear Oil'	1
37	08071	Kit Brg. & Spacer - Cam Thrust	1
38	08219	Brg. - Camshaft #1 & #4'	2
39	08076	Bolt & Seal - Push Rod Cover	6
40	08046	Gasket - Water Pump	1
41	09487	Pump Asm. - Water	1
	09509	Kit - Water Pump Repair	1
42	180083	Bolt - Upper & Lower - RH	2
43	180078	Bolt - Upper & Lower - LH	2
44	08021	Bolt - Flywheel (7/16-20 X .70)	6
45	136857	Lockwasher - Flywheel (7/16)	6
46	09046	Flywheel Asm	1
	08083	Gasket - Ignition Timer Distr	1
	09466	Clamp - Distributor	1
	454905	Bolt - Distributor Clamp	1
	705709	Switch - Oil Temp (EFE)	1
	09482	Gasket Kit - Engine Valve Grind	1
	09483	Gasket Kit - Engine Overhaul (Small Parts)	1
Note: for Complete Engine Overhaul or Fitted Block Installation, Use Following Combined Gasket Kits: 09482, 09483 & 08040			

Checker Motors Corp.

GROUP 10 - ENGINE 10-14

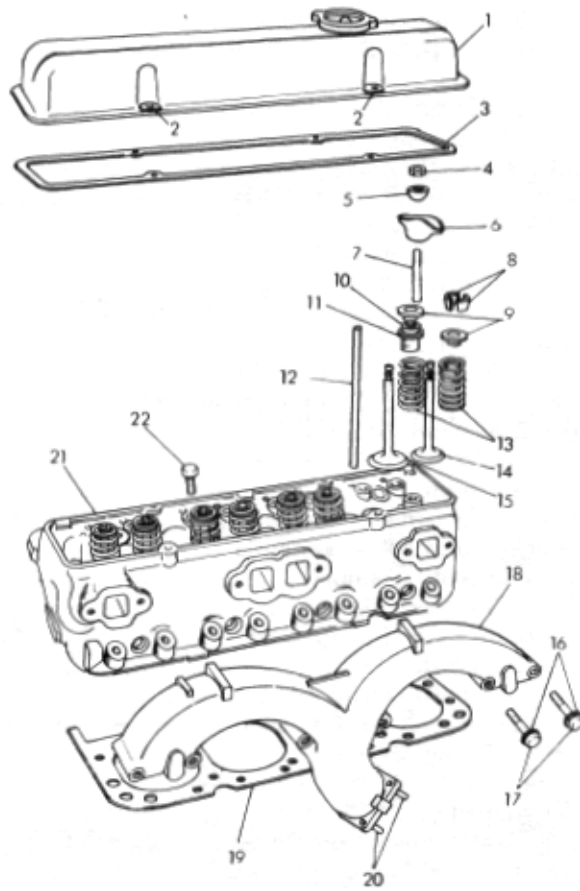


Figure 10-6 Engine Assembly . 8 Cylinder, Cylinder Head, Manifold & Related Parts

GROUP 10 - ENGINE 10-15

Item	Part Number	Description	Qty
Figure 10-6 ENGINE ASSEMBLY - 8 CYLINDER, CYLINDER HEAD, MANIFOLD & RELATED PARTS			
	705933	Engine Asm. - 305	1
	705934	Engine Asm. - 350	1
1	09507	Cover - Valve Rocker Arm - LH	1
	09421	Cover - Valve Rocker Arm - RH	1
	08037	Cap - Oil Filler	1
	180016	Bolt - Cover Mounting (1/4-20 X 1/2 Hex)	8
2	08081	Reinforcement - Cover	8
3	09518	Sealant - RN	1
	08134	Kit - Rocker Arm	1
4	08079	Nut - Rocker Arm Adjusting	16
5	09249	Ball - Rocker Arm	16
6	NSS	Arm - Valve Rocker	16
7	08109	Stud - Rocker Arm (.003 OS)	A/R
	08110	Stud - Rocker Arm (.0 10 OS)	A/R
8	09305	Key - Valve Stem	32
9	08138	Cap - Valve Stem Intake Only	8
	08336	Rotator - Exhaust Valve	8
	08184	Shim - Valve Spring	A/R
10	08014	Seal - Valve Stem Oil	16
11	08015	Shield - Valve Stem Oil	16
12	08132	Push Rod	1
13	08223	Spring & Damper	16
14	09497	Valve - Exhaust - Std. - 305	8
	08009	Valve - Exhaust - Std. - 350	8
	08285	Valve - Exhaust (.003 OS) 350	A/R
	08286	Valve - Exhaust (.015 OS) 350	A/R
	08287	Valve - Exhaust (.030 OS) 350	A/A
15	09317	Valve - Inlet Std. - 305	8
	09318	Valve - Inlet (.003 OS) 305	A/R
	09319	Valve - Inlet (.015 OS) 305	A/A
	09320	Valve - Inlet (.030 OS) 305	A/A
	09380	Valve - Exhaust - Std. - 350	8
	09381	Valve - Exhaust (.003 OS) 350	A/R
	09382	Valve - Exhaust (.015 OS) 350	AIR
	09383	Valve - Exhaust (.030 OS) 350	AIR
16	08148	Washer - Exhaust Manifold (At End Bolts)	8
	120382	Washer - Exhaust Manifold (#2 LH & #6 RH)	2
17	08091	Bolt - Exhaust Manifold (At End Holes)	8
	08127	Bolt - Exhaust Manifold (At Center Holes)	4
	09504	Lock - Exhaust Manifold End Bolt	4
	09228	Stud - Exhaust Manifold (#4 Hole - RH)	1
18	09479	Manifold - Exhaust LH & RH - 305	2
	09503	Manifold - Exhaust LH & RH - 350	2
19	09521	Gasket - Cyl. Head - 305	2
	08152	Gasket - Cyl. Head - 350	2
20	706964	Stud - Exhaust Manifold - LH	3
	706965	Stud - Exhaust Manifold - RH	3
21		Head - Cylinder - 305	2
	09556	Head - Cylinder - 350	2
22	08149	Bolt - Cyl. Head - Long (7/16-14 X 3 3/4)	14
	08150	Bolt - Cyl. Head - Medium (7/16-14 X 3)	4
	08151	Bolt - Cyl. Head - Short (7/16-14 X 1 3/4)	16
	05143	Spark Plug (AC-R45TS)	8
	705123	Switch - Water Temperature (in Cyl. Head)	1

GROUP 10 - ENGINE 10-16

A	A	A	A
11	11	12	12
E	E	E	E

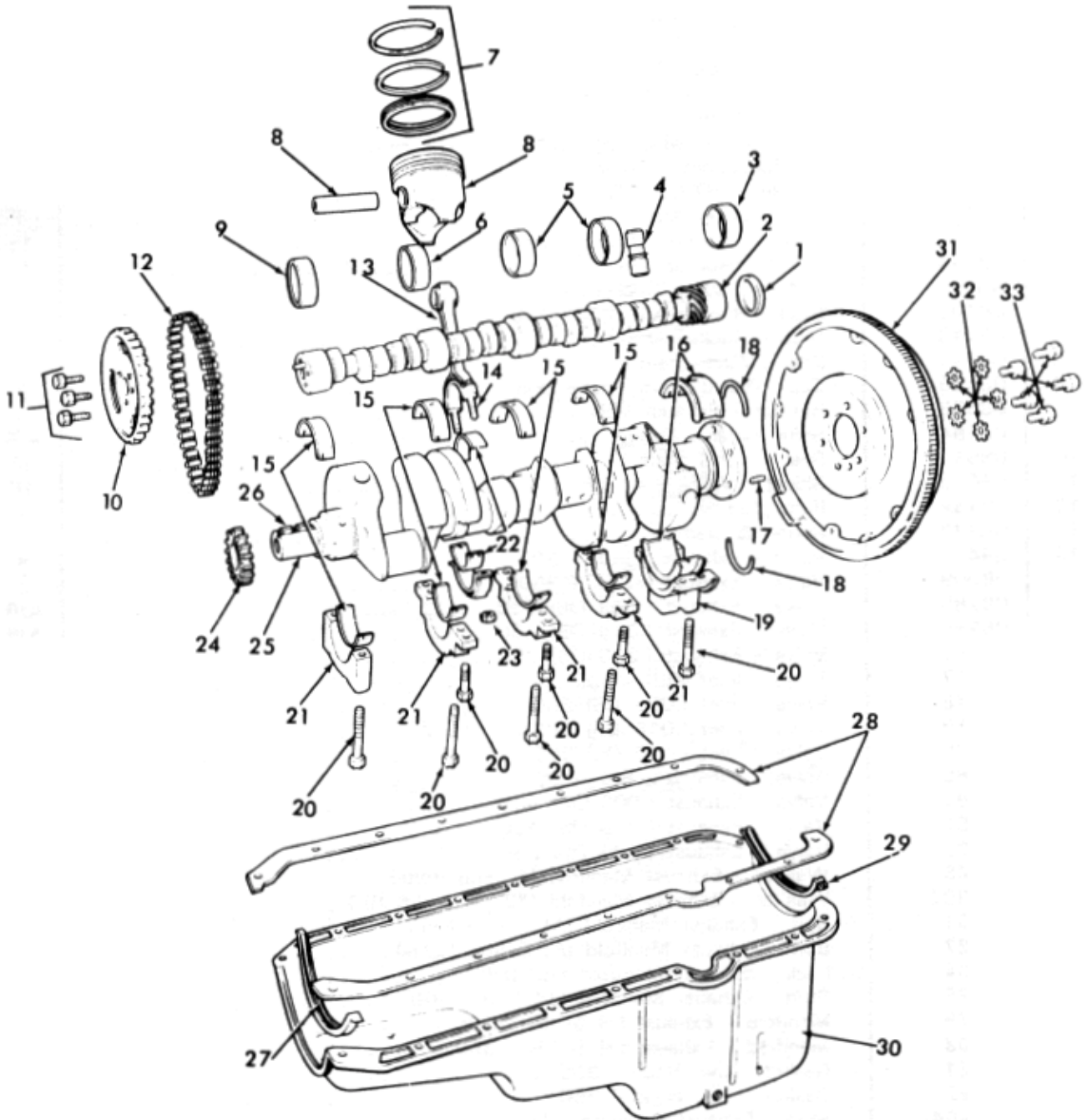


Figure 10-7 Engine Assembly - 8 Cylinder. Crankshaft. Camshaft, Oil Pan & Related Parts

GROUP 10 - ENGINE 10-17

Item	Part Number	Description	Oty
Figure 10-7 ENGINE ASSEMBLY - 8 CYLINDER, CRANKSHAFT, CAMSHAFT, OIL PAN & RELATED PARTS			
1	09349	Plug - Camshaft Rear Brg. Hole'	1
2	09536	Camshaft - 305	1
	08129	Camshaft - 350	1
3	08187	Bearing - Camshaft - Rear'	1
4	05435	Lifter Asm. - Hydraulic Valve	16
5	08188	Bearing - Camshaft (#3 & #4)'	2
6	08187	Bearing - Camshaft (#2)'	1
7	09525	Ring Set - Piston Std.' - 305	8
	09387	Ring Set - Piston Std.' - 350	8
	09414	Ring Set - Piston (.010 OS) 350	AIR
	09388	Ring Set - Piston (.030 OS) 350	A/R
8	09524	Piston & Pin - Std. - 305	8
	09384	Piston & Pin - Std. - 350	8
	09385	Piston & Pin (.001 OS) 350	A/A
	09386	Piston & Pin (.030 OS) 350	AIR
9	08185	Bearing - Camshaft (#1)'	1
10	09418	Sprocket - Camshaft	1
	08194	Pin - Camshaft Sprocket	1
11	443899	Bolt - Camshaft Sprocket (5/16-18 X 7/8)	3
	08349	Washer - Camshaft Sprocket	3
12	09505	Chain - Camshaft Timing	1
13	09098	Rod Asm. - Connecting	8
14	09557	Bolt - Connecting Rod Bearing Cap	16
15	09079	Bearing - Crankshaft Std. - Pair'	4
	09080	Bearing - Crankshaft (.001 US) Pair	A/R
	09081	Bearing - Crankshaft (.002 US) Pair	A/R
	09082	Bearing - Crankshaft (.009 US) Pair	A/R
	09083	Bearing - Crankshaft (.010 US) Pair	AIR
	09084	Bearing - Crankshaft (.020 US) Pair	AIR
16	09085	Bearing - Crankshaft (Rear) Std. - Pair'	1
	09086	Bearing - Crankshaft (Rear) (.001 US) Pair	A/R
	09087	Bearing - Crankshaft (Rear) (.002 US) Pair	A/R
	09088	Bearing - Crankshaft (Rear) (.009 US) Pair	A/R
	09089	Bearing Crankshaft (Rear) (.010 US) Pair	A/R
	09090	Bearing - Crankshaft (Rear) (.020 US) Pair	AIR
17	08194	Pin - Rear Bearing Cap'	2
18	09070	Seal - Rear Bearing Oil (2 in Pkg.)	1
19	09078	Cap - Crankshaft Rear Bearing'	1
20	09192	Bolt - Crankshaft Bearing Cap'	10
21	09193	Cap - Crankshaft Bearing (Except Rear)'	4
22	09100	Bearing - Connecting Rod Std. - Pair	8
	09101	Bearing - Connecting Rod (.001 US) Pair	A/R
	09102	Bearing - Connecting Rod (.002 US) Pair	A/R
	09103	Bearing - Connecting Rod (.010 US) Pair	AIR
	09104	Bearing - Connecting Rod (.020 US) Pair	AIR
23	08063	Nut - Connecting Rod Bearing Cap	16
24	08226	Sprocket - Crankshaft	1
25	09522	Crankshaft - 305	1
	09213	Crankshaft - 350	1
26	106751	Key - Damper & Sprocket	2
	09424	Gasket Unit - Oil Pan	1
27	09425	Seal - Oil Pan - Front	1
28	08147	Gasket - Oil Pan - Side	1
29	09526	Seal - Oil Pan - Rear	1
30	09423	Oil Pan Unit (Includes Dipstick Tube, Gasket Unit & Instructions)	1

Checker Motors Corp.

GROUP 10 - ENGINE 10-18

A	A	A	A
11	11	12	12
E	E	E	E

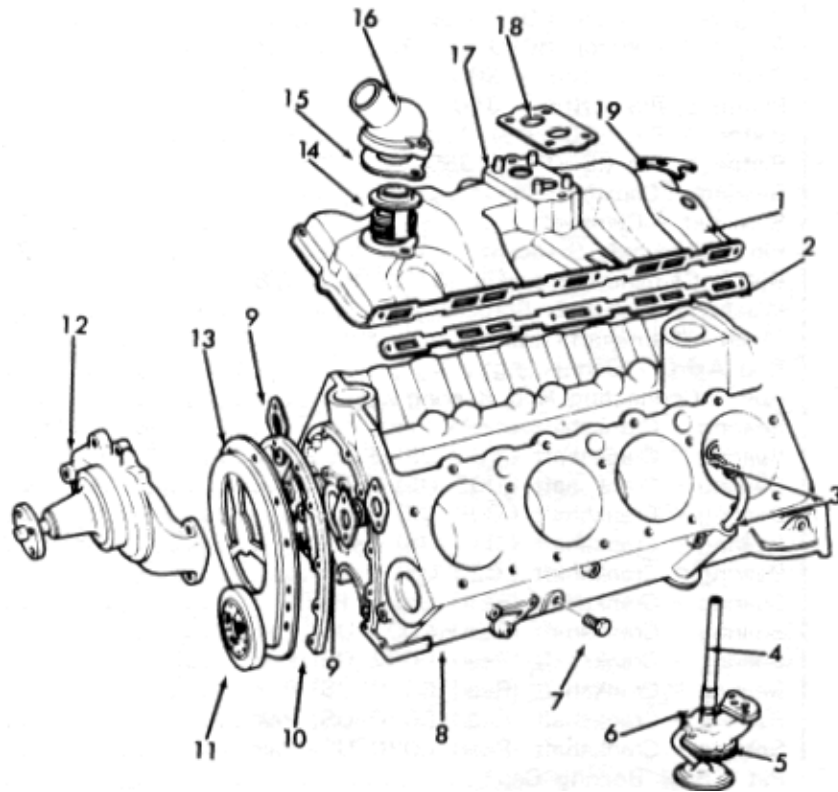


Figure 10-8 Engine Assembly .8 Cylinder, Engine Block & Related Parts

Checker Motors Corp.

GROUP 10 - ENGINE 10-19

Item	Part Number	Description	Qty
Figure 10-7 ENGINE ASSEMBLY - 8 CYLINDER, CRANKSHAFT, CAMSHAFT, OIL PAN & RELATED PARTS (Cont'd)			
	08035	Screw & Lockwasher - Oil Pan	14
	120368	Bolt & Lockwasher - Oil Pan	4
	09107	Screw - Oil Pan Drain	1
	09180	Gasket - Oil Pan Drain Screw	1
	09437	Clip - Positive Battery Cable Oil Pan	1
	08140	Clip - Plug Wire to Oil Pan	2
31	09406	Flywheel Asm	1
32	136857	Lockwasher - Flywheel Bolt (7/16)	6
33	08021	Bolt - Flywheel Mounting (7/16-20 X .70)	6
Figure 10-8 ENGINE ASSEMBLY - 8 CYLINDER, ENGINE BLOCK & RELATED PARTS			
	09428	Manifold - Intake - 305	1
	09531	Manifold - Intake - 350	1
	09434	Tube Asm. - Carb. Choke Heat (in Intake Manifold)	1
	09435	Gasket - Choke Heat Tube Mt	1
	443899	Bolt - Choke Heat Tube Mt. (5/16-18 X 7/8)	2
	187119	Lockwasher - Heat Tube Mt	1
	435611	Bolt - Intake Manifold Mt. (3/8-16 X 2 3/4 Hex)	9
	09562	Plug - Intake Manifold EGR Cover Hole	1
	09115	Bolt - Intake Manifold Mt. (#2 LH & #6 RH Holes)	3
	09391	Oil Splash Guard - Intake Manifold	1
	09502	Stud - Intake Manifold Oil Splash Guard	1
	09532	Valve Asm. - EGR - 305	1
	09561	Valve Asm. - EGR - 350	1
	09429	Gasket - EGR Valve Mt. - 305	1
	09534	Gasket - EGR Valve Mt. - 350	1
	09535	Spacer - EGR Valve Mt. - 350	1
2	09430	Gasket Unit - Intake Manifold (Consists of: LH & RH Side Gasket, Frt. & Rear Seal & Distr. Mt. Gasket)	1
3	704113	Tube Asm. - Oil Level Gauge Upper	1
	09217	Tube - Oil Level Gauge - Lower	1
	703437	Gauge - Oil Level (Use With Original Pan Only)	1
	09426	Gauge - Oil Level (Use With Service Pan Only)	1
4	08250	Shaft - Distributor to Oil Pump	1
	08199	Retainer - Shaft to Pump	1
5	08213	Screen Asm. - Oil Pump	1
6	08114	Pump Asm. - Oil	1
	08197	Valve - Oil Pressure Regulator	1
	08193	Spring - Oil Pressure Valve	1
	103677	Stop - Regulator Valve Spring	1
	09500	Cover Asm. - Oil Pump	1
	133043	Screw - (1/4-20 X 3/4 RH Sl. Mach.) Pump Mt. Cover	4
	120380	Lockwasher - Cover Screw (1/4 Med. Spring)	4
	08194	Pin - Oil Pump'	1
	08182	Bolt - Oil Pump Mounting (7/16-14 X 2)	1
7	455883	Plug - Water Jacket Drain Hole'	2

GROUP 10 - ENGINE 10-20

Item	Part Number	Description	Qty
Figure 10-8 ENGINE ASSEMBLY - 8 CYLINDER, ENGINE BLOCK & RELATED PARTS (Cont'd)			
8	09519	Fitted Block Asm. - 305	1
	09262	Fitted Block Asm. - 350	1
		Note: Fitted Blocks Consist of Parts Marked (*).	
	444613	Plug - Oil Pressure Hole*	1
	08380	Plug - Water Jacket*	8
	444776	Plug - Oil Galley Hole Front & Rear*	6
	08229	Pin - Cylinder Head Dowel*	4
	08155	Pin - Transmission Line Up*	2
	444776	Plug - Oil Pressure Crossover Hole - Case*	3
	180018	Bolt - Cyl. & Case (A.I.R. Pump Mt. - Hole Plug) (3/8-16 X 5/8)	1
9	08119	Gasket - Water Pump Mounting	2
10	08143	Gasket - Crankcase Front Cover	1
11	09523	Damper Asm. - Torsional	1
	704669	Washer - Damper Retaining	1
	136857	Lockwasher - Damper Retaining (7/16 Ext. Tooth)	1
	9428643	Bolt - Damper Retaining (7/16-20 X 2 1/4)	1
12	09529	Pump Asm. - Water	1
	08035	Screw & Lockwasher Water Pump Plate	6
	09401	Kit - Water Pump Repair	1
	08091	Bolt - Pump Mounting	4
13	09527	Cover Asm. - Crankcase Front	1
	08183	Seal - Crankcase Front Cover	1
	09528	Pointer - Timing	1
	08194	Pin - Crankcase Front Cover*	1
	08035	Screw & Lockwasher Crankcase Front Cover	10
14	09488	Thermostat (195°)	1
15	08051	Gasket - Water Outlet	1
16	09530	Outlet - Water	1
	454905	Bolt - Water Outlet (3/8-16 X 7/8 Hex)	2
17	180081	Bolt - Carburetor Mt. - 305 (5/16-18 X 1 1/4 Hex)	2
	180081	Bolt - Carburetor Mt. - 350 (5/16-18 X 1 1/4 Hex)	2
	189297	Bolt - Carburetor Mt. - 350 (5/16-18 X 3 3/4)	2
18	705417	Insulator - Carburetor - 305	1
	705787	Insulator Carburetor - 350	1
19	09125	Clamp - Distributor Mounting	1
	180120	Bolt - Distributor Clamp (3/8-16 X 3/4)	1
	09124	Gasket - Distributor Mt	1
	09558	Switch - EGR Vacuum Control	1
	705569	Switch Exhaust Heat Valve Actuator	1
	09152	Gasket Kit - Engine Overhaul (Small Parts)	1
	09494	Gasket Kit - Engine Valve Grind	1
<p>Note: for Complete Engine Overhaul or Fitted Block Installation, Use Following Combined Gasket Kits: 09152, 09494 & 09424.</p>			