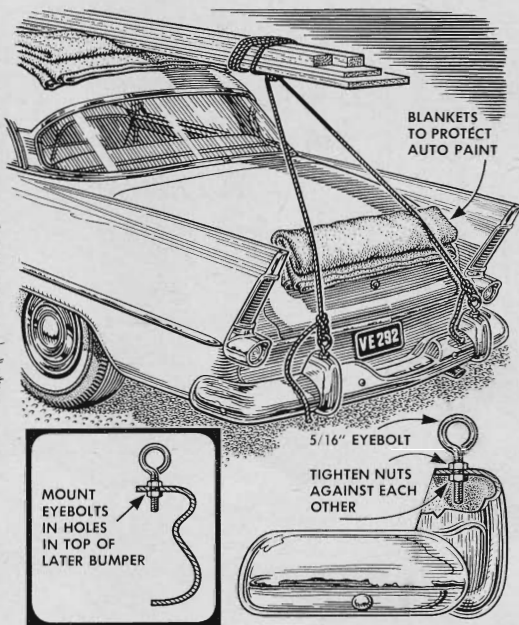


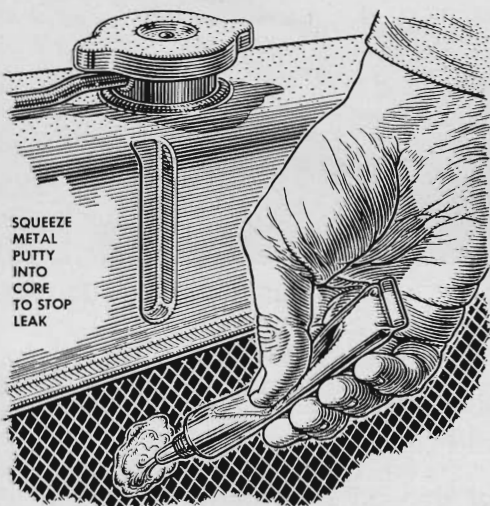
More Hints from the Model Garage



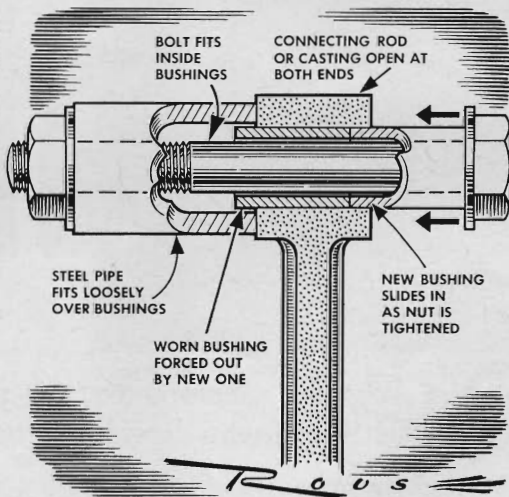
For adding water to a battery, you can't beat the convenience of an old hot-water bottle with hose attachment. Hang it filled on the wall adjacent to the hood of the car and release the hose valve to dispense the right amount of water.



You can tie down loads hauled on the roof of your car safely and conveniently by installing eyebolts on the front and rear bumpers. Drill holes in the bumper or bumper guards and lock each eyebolt in place with two nuts.



A leak in a radiator can be stopped easily by completely filling the faulty core cell with metal-patching putty or epoxy glue. This won't affect the radiator's efficiency, and it's quicker than trying to locate and solder a pinhole.



To install a new bushing quickly in any casting that's open at both ends, try the setup illustrated above. Tightening the nut causes the bolt head to pull the new bushing into the hole. At the same time it forces the old bushing out.