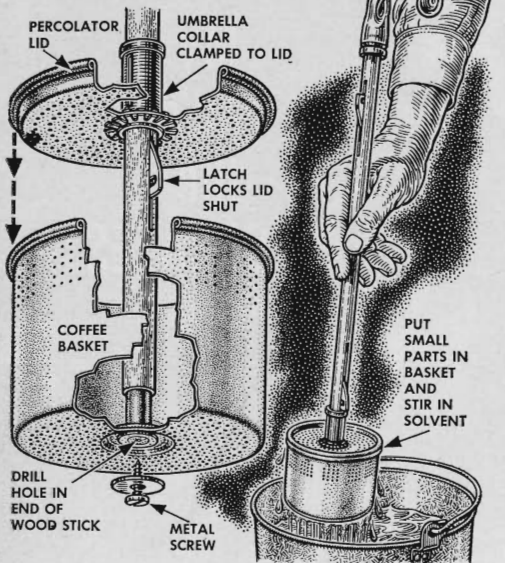
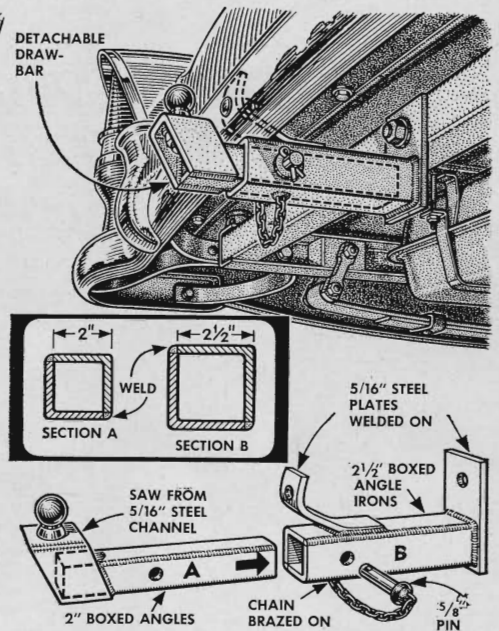


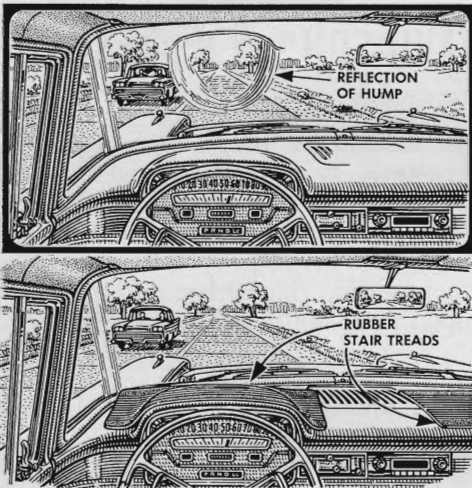
More Hints from the Model Garage



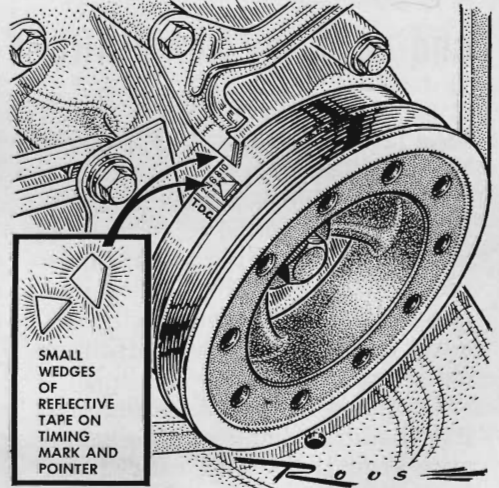
Small-parts washer. An old umbrella and the basket from a discarded coffee percolator are the main parts used in making this small-parts washer. Remove the stays from the umbrella collar and fit it into the percolator tube.



Detachable hitch. Here's a trailer hitch that's right there when you need it, but that's easily removed when you don't. It's best to weld up section B first, then use this as a form in making section A so that it slips nicely into B.



Overcoming glare. On some cars you get a disturbing sun reflection from the hump of the instrument panel. Draping a rubber stair tread over the hump is one way of overcoming this. A second piece can be put on the passenger side.



A timing tip. Ignition-timing marks often become so dirty that you have difficulty seeing them. When this happens, cut small wedge-shaped pointers from adhesive reflective tape (red is excellent) and press them into place.